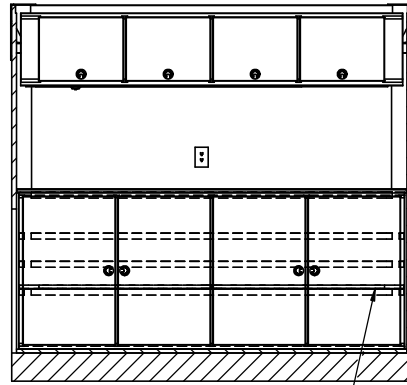


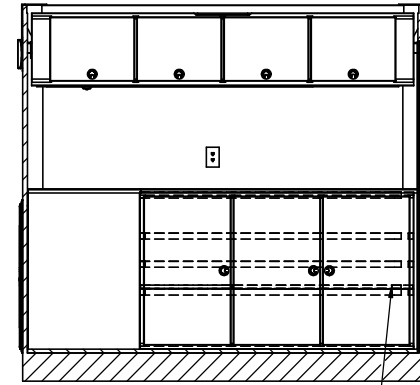
CABINET OPT. 1

UPPER ONLY



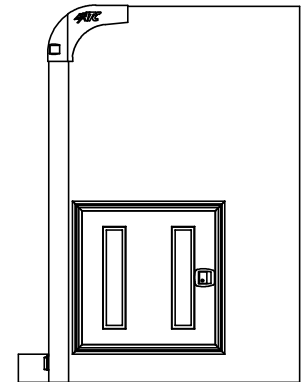
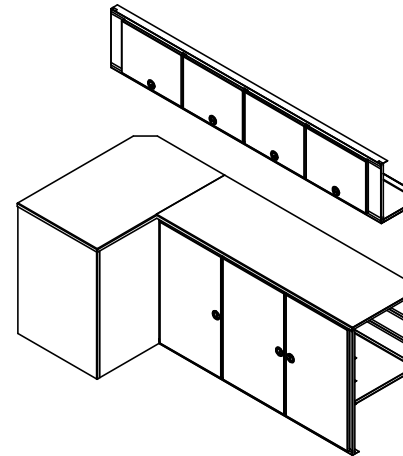
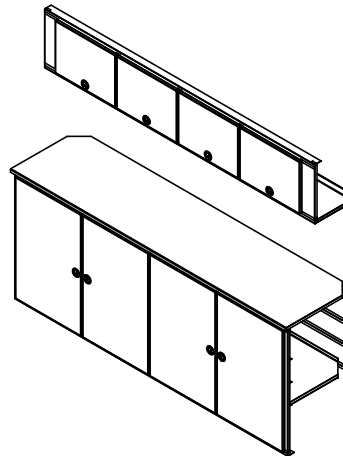
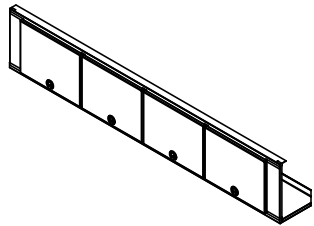
CABINET OPT. 2
STRAIGHT LOWER, UPPER

ADJUSTABLE SHELVES,
LEFT & RIGHT WITH (3) HEIGHT
POSITIONS, BOTH SHOWN IN
BOTTOM POSITION.



CABINET OPT. 3
**L BASE LOWER,
36" X 36" GEN. DOOR, UPPER**

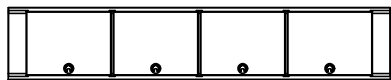
ADJUSTABLE SHELVES,
LEFT & RIGHT WITH (3) HEIGHT
POSITIONS, BOTH SHOWN IN
BOTTOM POSITION.



CABINET OPT. 3

EXTERIOR VIEW

NOTE:
ALL UPPER CABINETS HAVE LED STRIP LIGHT AND
SWITCH AS STANDARD.



LED STRIP LIGHT

SWITCH LOCATION

DIMENSION TOLERANCES	PART #	VIN	TITLE: RCL - CH LIMITED - CABINET OPTIONS 1-3		 PROPRIETARY AND CONFIDENTIAL: THE INFORMATION CONTAINED IN THIS DRAWING IS THE SOLE PROPERTY OF THE ALUMINUM TRAILER COMPANY. ANY REPRODUCTION IN PART OR AS A WHOLE WITHOUT THE WRITTEN PERMISSION OF THE ALUMINUM TRAILER COMPANY IS PROHIBITED.	DRAWN BY: CF
STANDARD	MATERIAL: (THICKNESS - TYPE - GRADE)			DATE: 4/8/2021		
+	REVISION:	QUANTITY:	WEIGHT:	SCALE: 1:24		
CRITICAL			LBS	SHEET 1 OF 1		