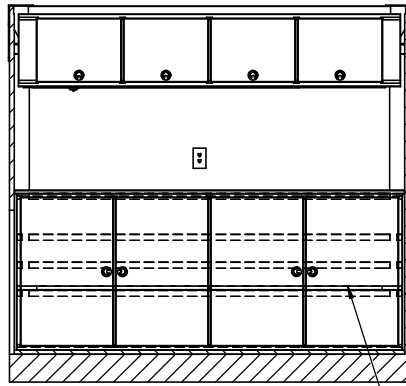
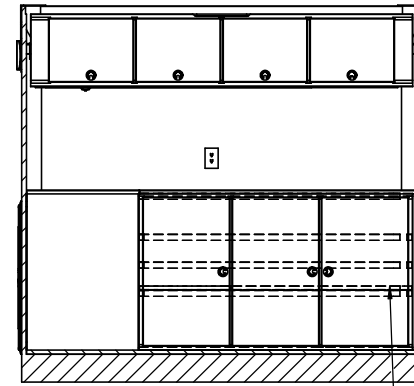


**CABINET OPT. 1**  
**UPPER ONLY**



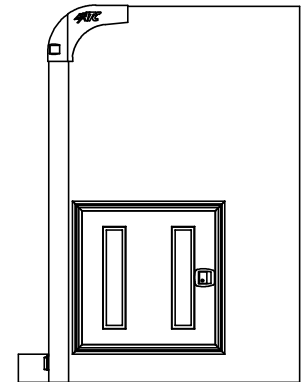
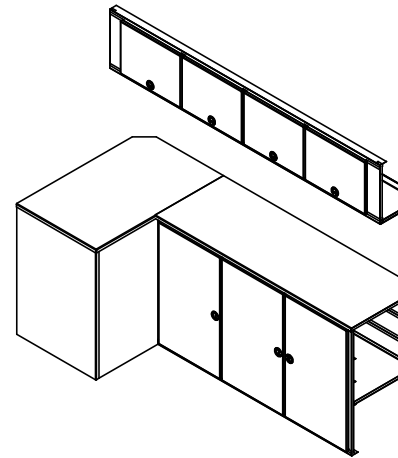
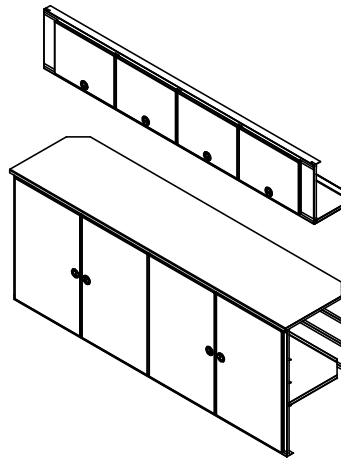
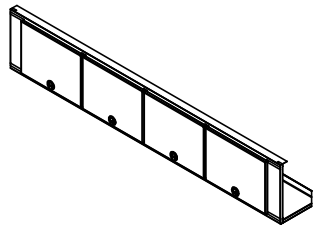
**CABINET OPT. 2**  
**STRAIGHT LOWER, UPPER**

ADJUSTABLE SHELVES,  
LEFT & RIGHT WITH (3) HEIGHT  
POSITIONS, BOTH SHOWN IN  
BOTTOM POSITION.



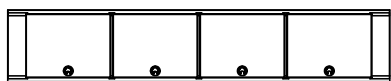
**CABINET OPT. 3**  
**L BASE LOWER,  
36" X 36" GEN. DOOR, UPPER**

ADJUSTABLE SHELVES,  
LEFT & RIGHT WITH (3) HEIGHT  
POSITIONS, BOTH SHOWN IN  
BOTTOM POSITION.



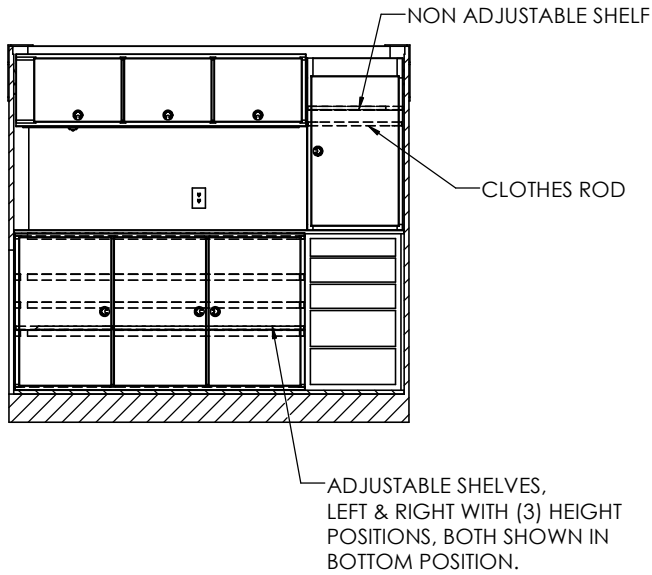
**CABINET OPT. 3**  
**EXTERIOR VIEW**

NOTE:  
ALL UPPER CABINETS HAVE LED STRIP LIGHT AND  
SWITCH AS STANDARD.



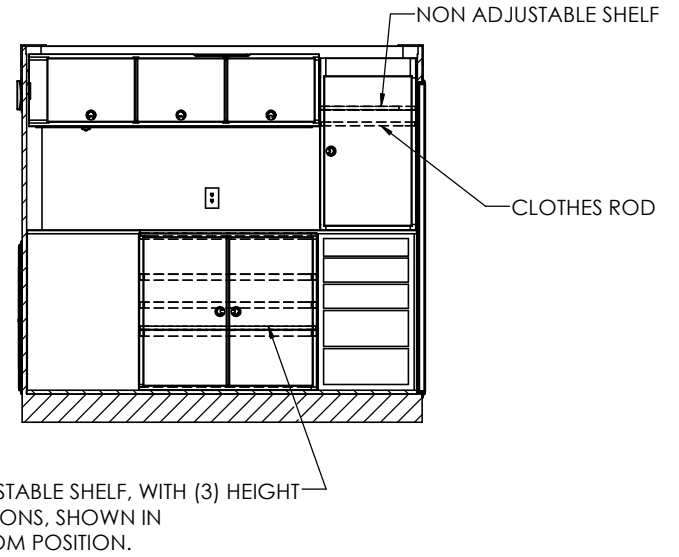
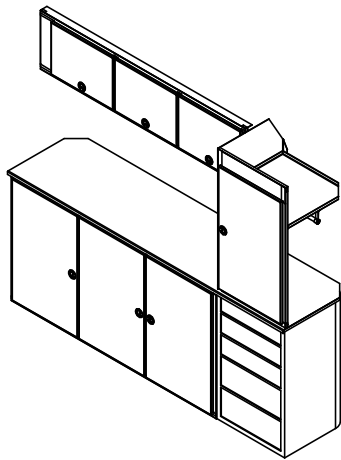
LED STRIP LIGHT  
SWITCH LOCATION

<b>DIMENSION TOLERANCES</b>	PART #	VIN	TITLE: <b>QCL - CH LIMITED - CABINET OPTIONS 1-5</b>		DRAWN BY: CF
STANDARD + -	MATERIAL: (THICKNESS - TYPE - GRADE)			PROPRIETARY AND CONFIDENTIAL: THE INFORMATION CONTAINED IN THIS DRAWING IS THE SOLE PROPERTY OF THE ALUMINUM TRAILER COMPANY. ANY REPRODUCTION IN PART OR AS A WHOLE WITHOUT THE WRITTEN PERMISSION OF THE ALUMINUM TRAILER COMPANY IS PROHIBITED.	
<b>CRITICAL</b> + -	REVISION:	QUANTITY:		WEIGHT: LBS	FILE NAME: QST - Cabinet Opt 1- 5



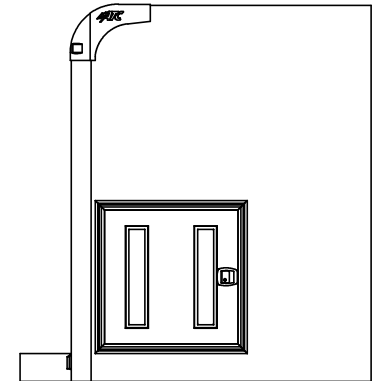
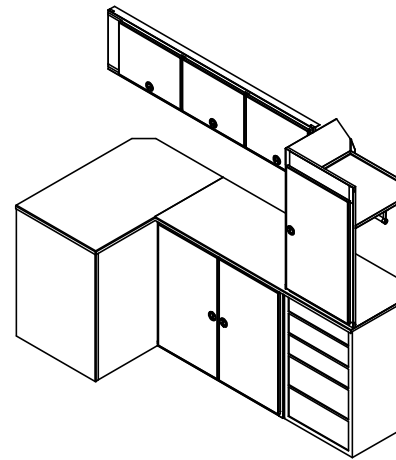
**CABINET OPT. 4**

**STRAIGHT LOWER, UPPER, DRAWERS, CLOSET**



**CABINET OPT. 5**

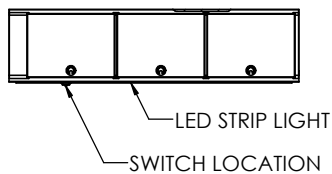
**L BASE LOWER, 36" X 36" GEN DOOR, UPPER, DRAWERS, CLOSET**



**CABINET OPT. 5**

**EXTERIOR VIEW**

NOTE:  
ALL UPPER CABINETS HAVE LED STRIP LIGHT AND SWITCH AS STANDARD.



TITLE: QST-CH LIMITED - CABINET OPTIONS 1-5			
DRAWN BY: CF	DATE: 4/8/2021	VIN/PART #	REV.
FILE NAME: QST - Cabinet Opt 1- 5			
SCALE:1:24	DATE PRINTED: 5/5/2021	SHEET 2 OF 2	