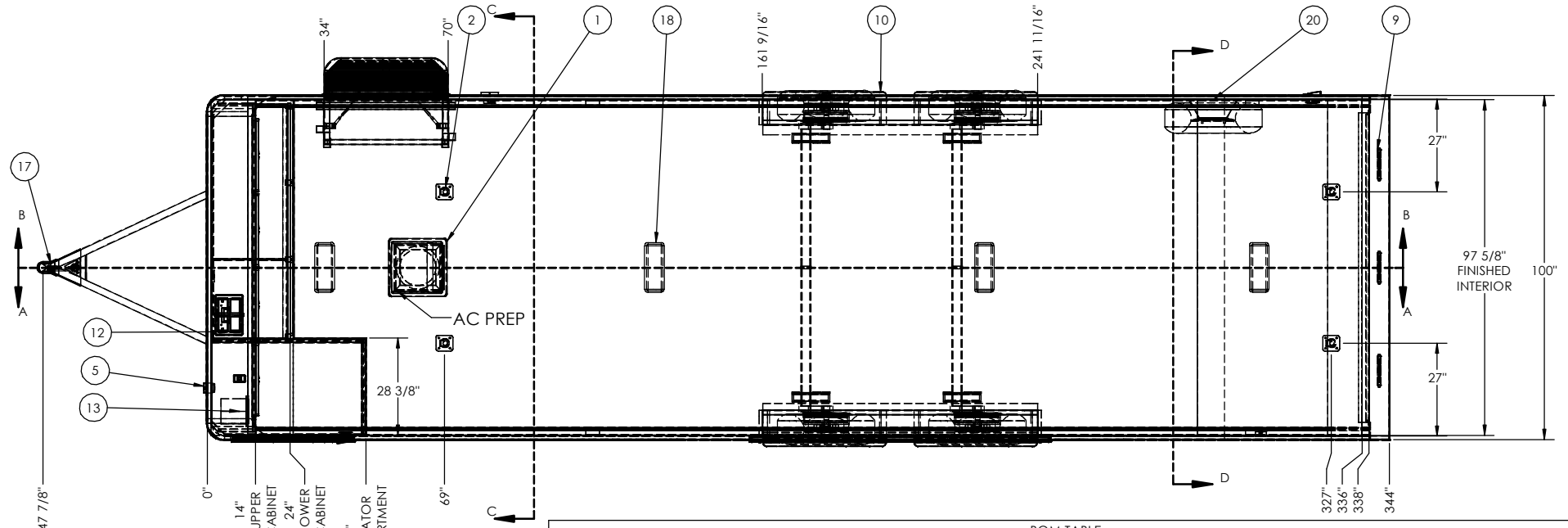


CONFIGURATIONS DISPLAYED:
 28 FT RAVEN LIMITED CAR HAULER
 DELUXE PACKAGE
 CABINET PACKAGE 3
 5200# AXLES
 FLOW THROUGH VENTS
 SPARE TIRE MOUNT



BOM TABLE				
ITEM NO	PART NO	FILE NAME	DESCRIPTION	QTY.
1	124898	124898	VENT - ROOF - MANUAL - 14" - W/MAXXAIR COVER	1
2	137102	125777	D-RINGS - 5000# - RECESSED	4
3	130412	130412	SWITCH - WALL - 12V - BLACK	3
4	131276	131276	7 - Way truck plug	1
5	133279	133279	POWER INLET - MOTORBASE - 30A - W/ SHORE CORD - 25'	1
6	136945	136945	VENT SYSTEM - FLOW THROUGH - BLACK - 16" O/C	2
7	137105	137105	RECEPT - EXTERIOR - 120V - 15A - GFI PROTECTED	1
8	137107	137107	RECEPT - INTERIOR - 120V - 15A	3
9	87493	87493	BACK UP LIGHT	3
10	41700	Aluminum Fender	Mill Finish - 84" Ext. Length	2
11		ASSEMBLY - CABINET PACKAGE - CH - 920 - 28 ft Marketing		1
12		BATTERY	AGM, 775 CCA	1
13		BREAKER BOX	30 AMP WITH CONVERTER	1
14		CAST CORNERS		1
15		DOOR - ENTRY - 110 SERIES - 36 X 78 - RH - FL - 28 ft Marketing		1
16		DOOR - ESCAPE - PREMIUM - 88W X 66H X 11WW X 12FRM - 28 ft Marketing		1
17		FRM, AL - Car Hauler 2021 - Raven - 28 ft Marketing		1
18		LIGHT, CEILING - SURFACE MOUNT		4
19		LIGHT, STRIP		1
20		MOUNT, SPARE TIRE - WALL		1
21		RCL_Cutlists - 28 ft Marketing		1
22	41396	WHEEL WELL, AL - QUEST	7.5 x 11 x 80	1
23		WHEEL WELL, AL - QUEST	7.5 x 11 x 80 PED	1
24		DOOR, STAGE - 20 ft Raven Marketing		1
25		TRANSITION FLAP - 20 ft Raven Marketing		1
26		Ground - 20 ft raven		1

ALL LOCATIONS ARE NOMINAL UNLESS CRITICAL DIMENSIONS ARE SPECIFICALLY NOTED

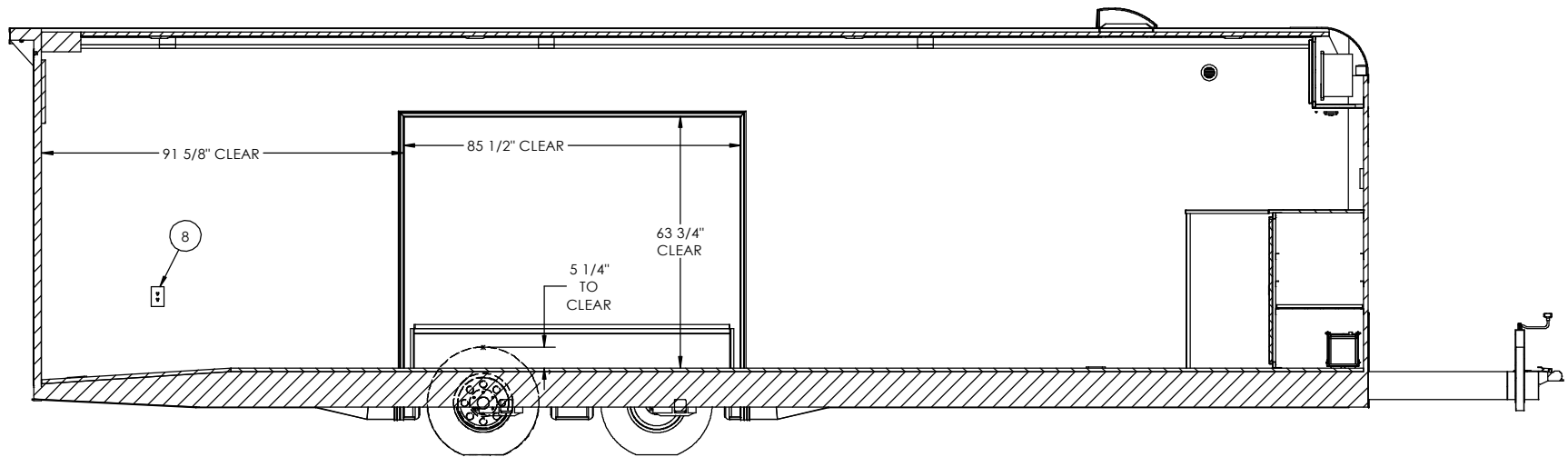
PROPRIETARY AND CONFIDENTIAL:
 THE INFORMATION CONTAINED IN THIS DRAWING IS THE SOLE PROPERTY OF THE ALUMINUM TRAILER COMPANY. ANY REPRODUCTION IN PART OR AS A WHOLE WITHOUT THE WRITTEN PERMISSION OF THE ALUMINUM TRAILER COMPANY IS PROHIBITED.



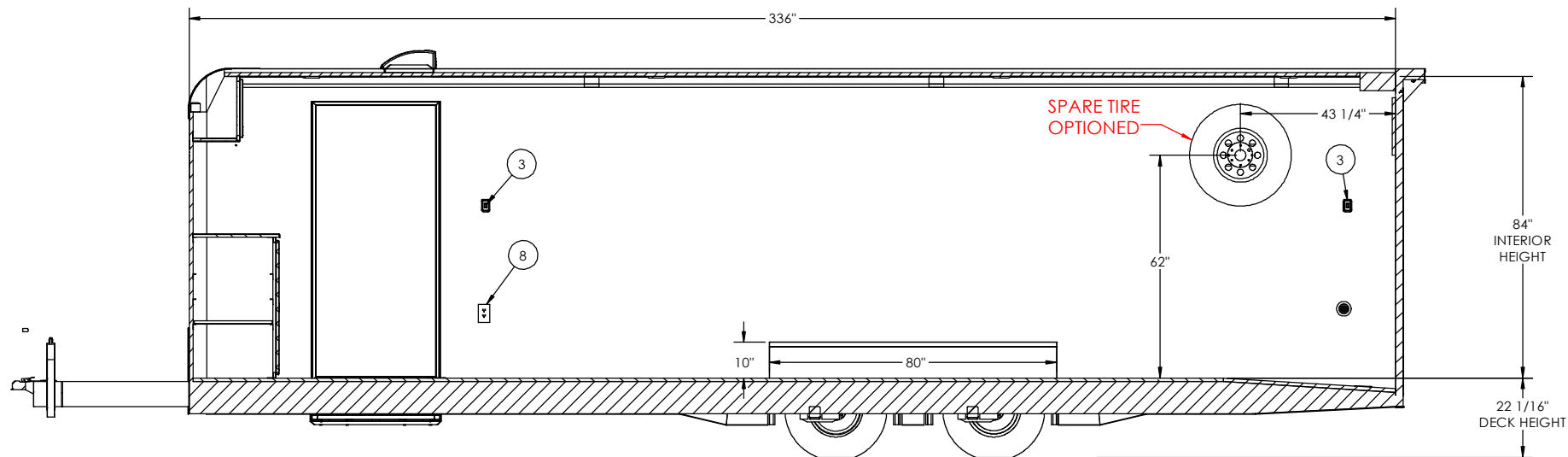
TITLE: 28 FT RCL - RAVEN LIMITED CH			
DRAWN BY: HRM	DATE: 05/07/21	VIN/PART #	REV.
		Marketing	
FILE NAME: CUS, AL - Car Hauler 2021 - Raven - 28 ft Marketing			
SCALE: 1:64	DATE PRINTED: 5/25/2021	SHEET 1 OF 6	

REVISION TABLE			
REV.	DESCRIPTION	DATE	DONE BY


DWG PATH: C:\Eng_Vault\Master Records\Templates\CAR HAULER\Marketing\28 ft Raven\



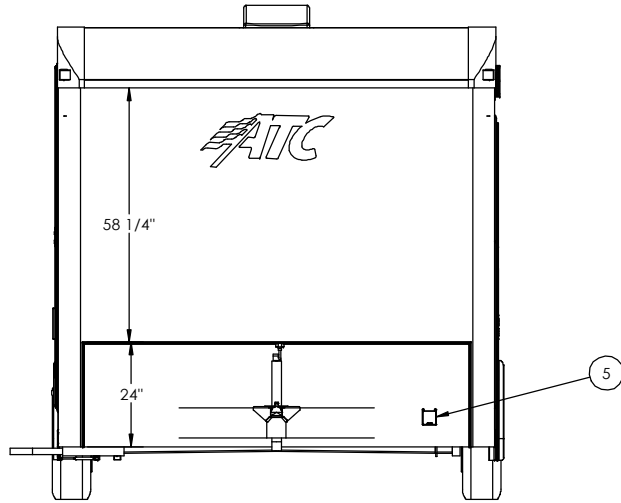
INTERIOR ROADSIDE



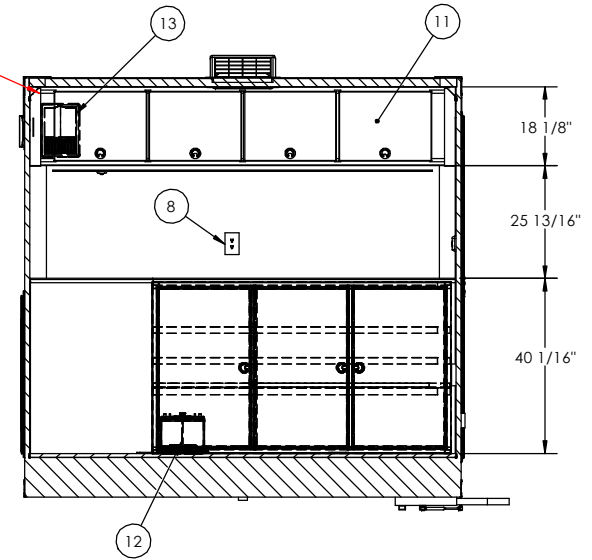
INTERIOR CURBSIDE

	TITLE: 28 FT RCL - RAVEN LIMITED CH			
	DRAWN BY: HRM	DATE: 05/07/21	VIN/PART #	REV.
				Marketing
	FILE NAME: CUS, AL - Car Hauler 2021 - Raven - 28 ft Marketing			
SCALE: 1:64		DATE PRINTED: 5/25/2021		SHEET 2 OF 6

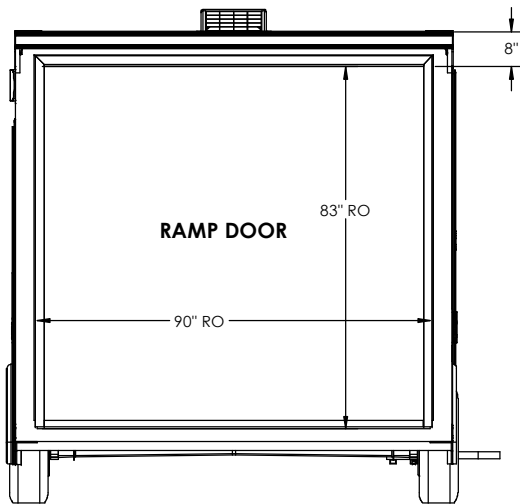
**CABINET PACKAGE 3 SHOWN.
REFER TO CABINET PRINTS FOR
OTHER CABINET OPTIONS.**



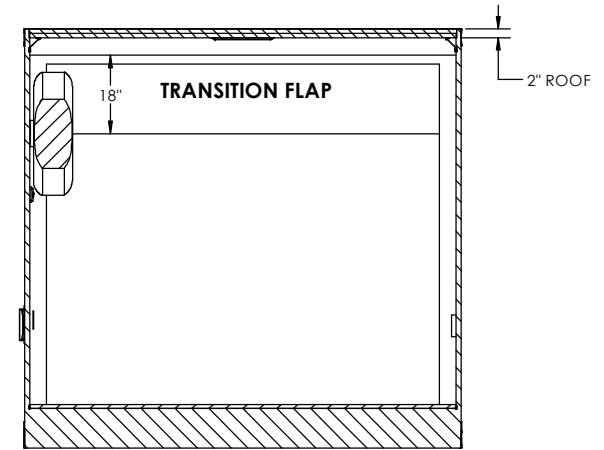
EXTERIOR FRONT



INTERIOR FRONT



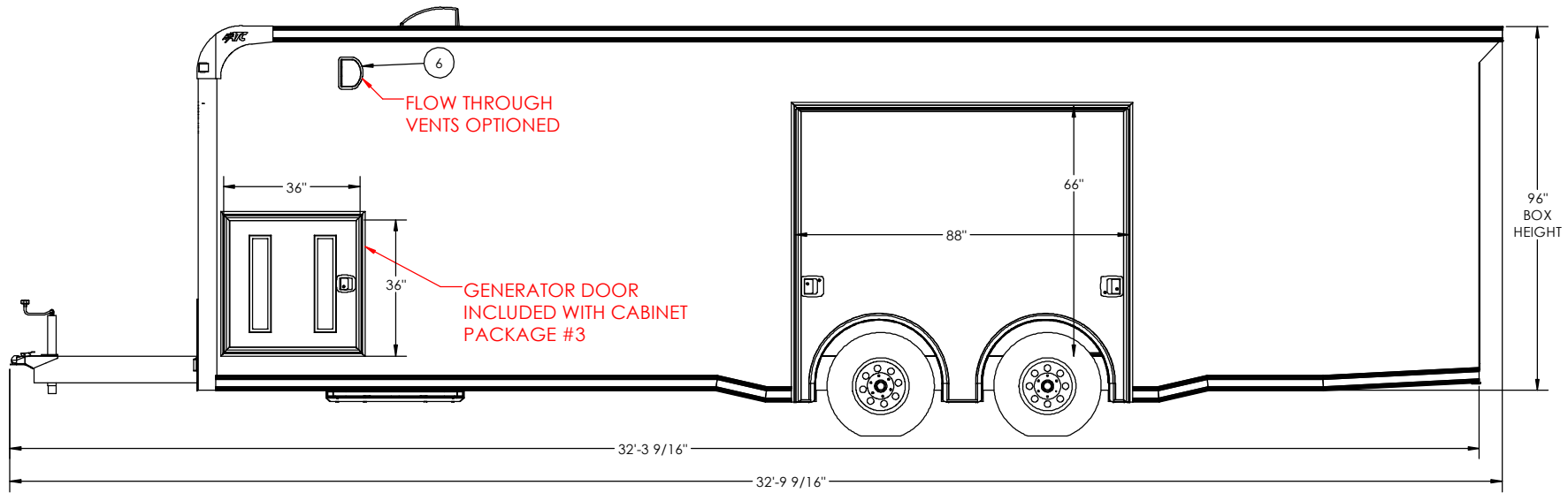
EXTERIOR REAR



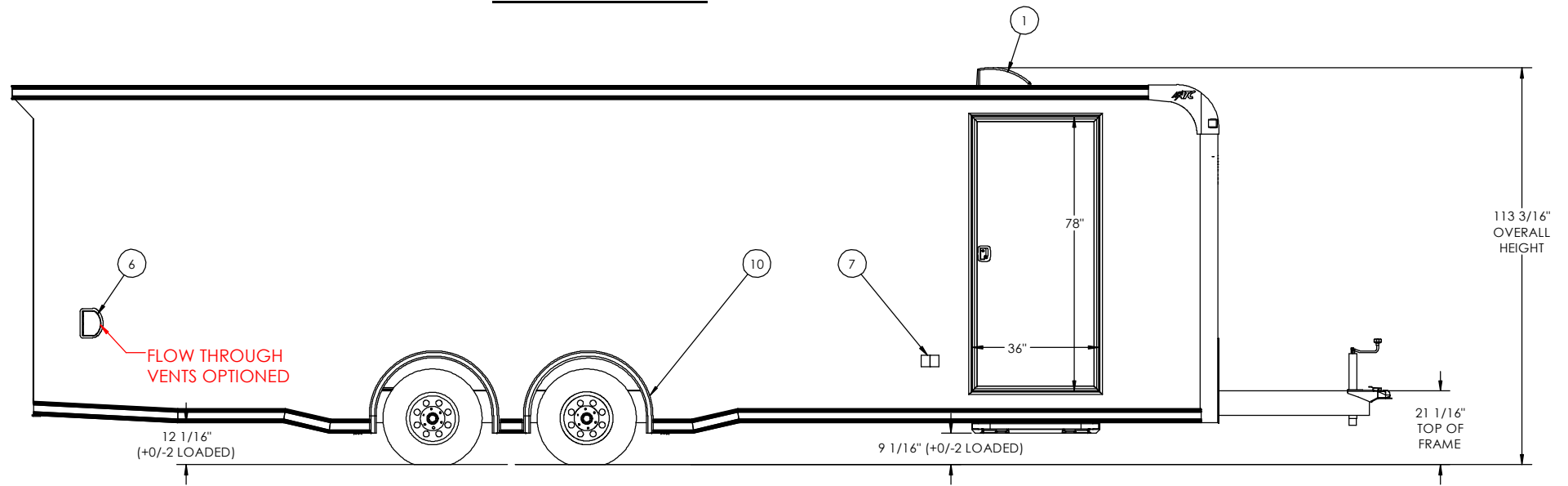
INTERIOR REAR




TITLE: 28 FT RCL - RAVEN LIMITED CH			
DRAWN BY: HRM	DATE: 05/07/21	VIN/PART #	REV.
		Marketing	
FILE NAME: CUS, AL - Car Hauler 2021 - Raven - 28 ft Marketing			
SCALE: 1:64	DATE PRINTED: 5/25/2021	SHEET 3 OF 6	

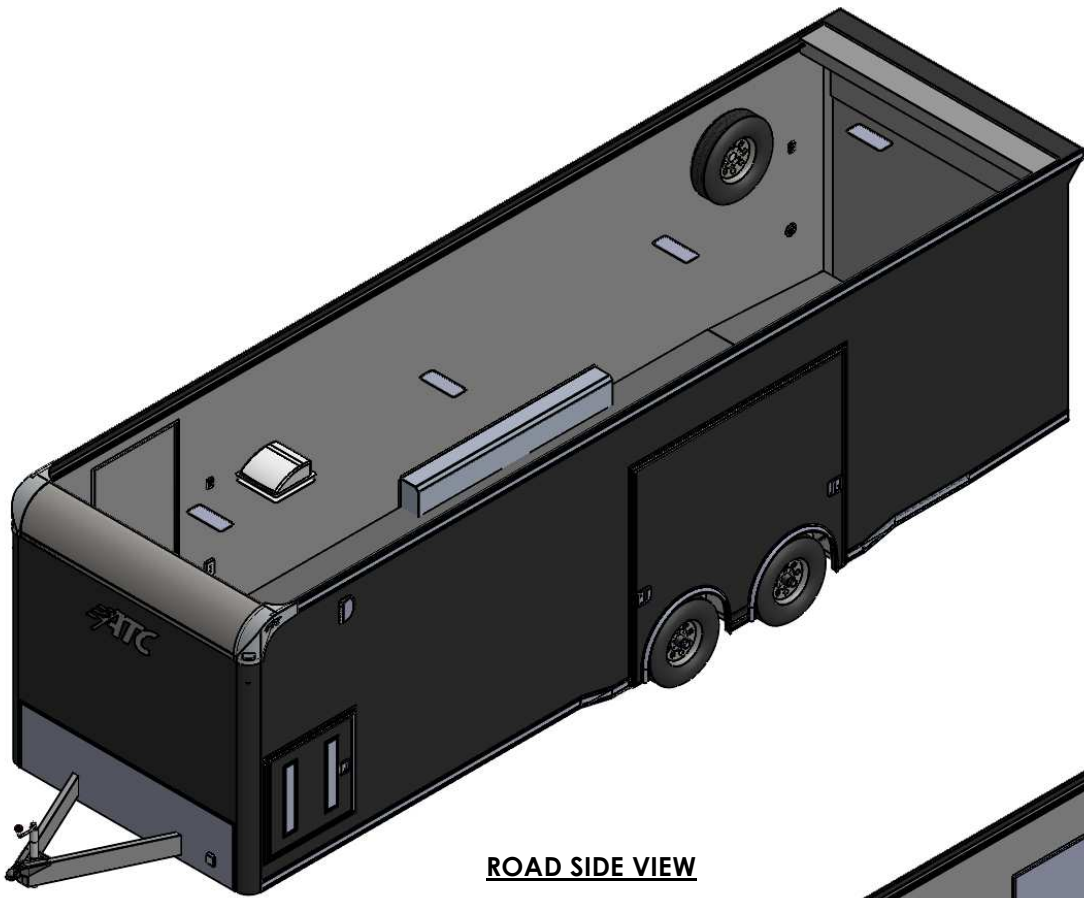


EXTERIOR ROAD SIDE

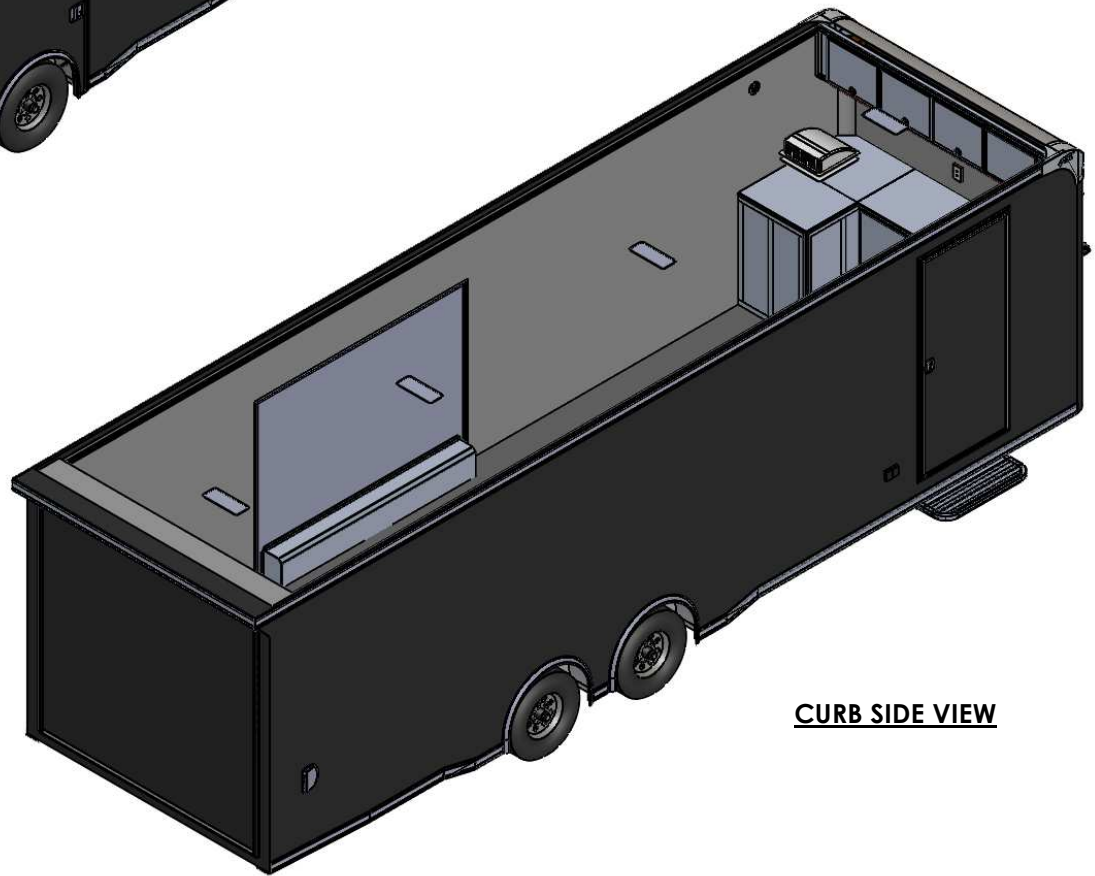


EXTERIOR CURB SIDE

	TITLE: 28 FT RCL - RAVEN LIMITED CH			REV.
	DRAWN BY: HRM	DATE: 05/07/21	VIN/PART #	Marketing
FILE NAME: CUS, AL - Car Hauler 2021 - Raven - 28 ft Marketing				
SCALE: 1:64	DATE PRINTED: 5/25/2021	SHEET 4 OF 6		

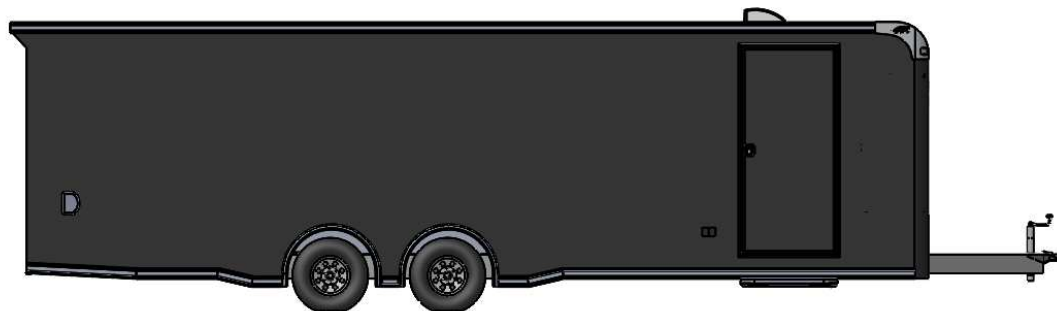
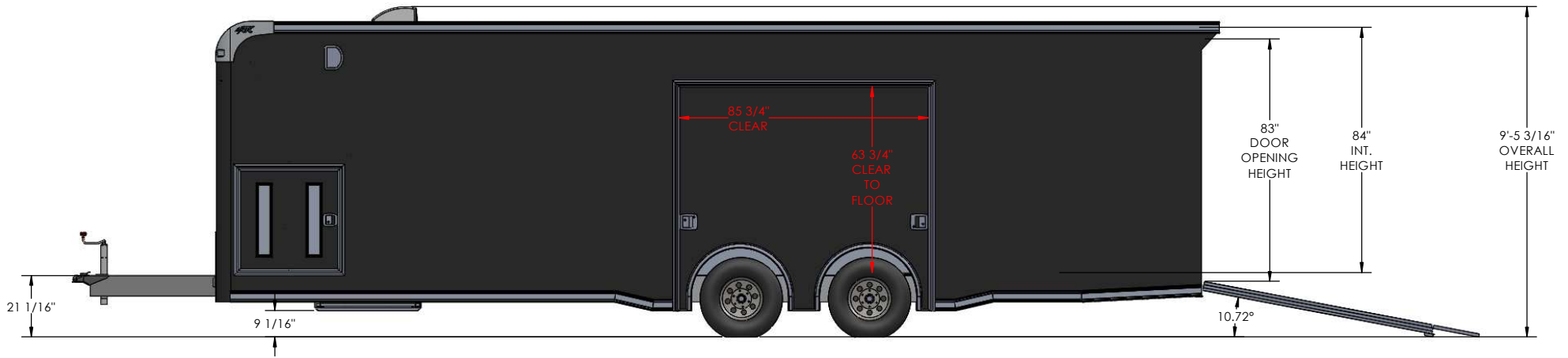
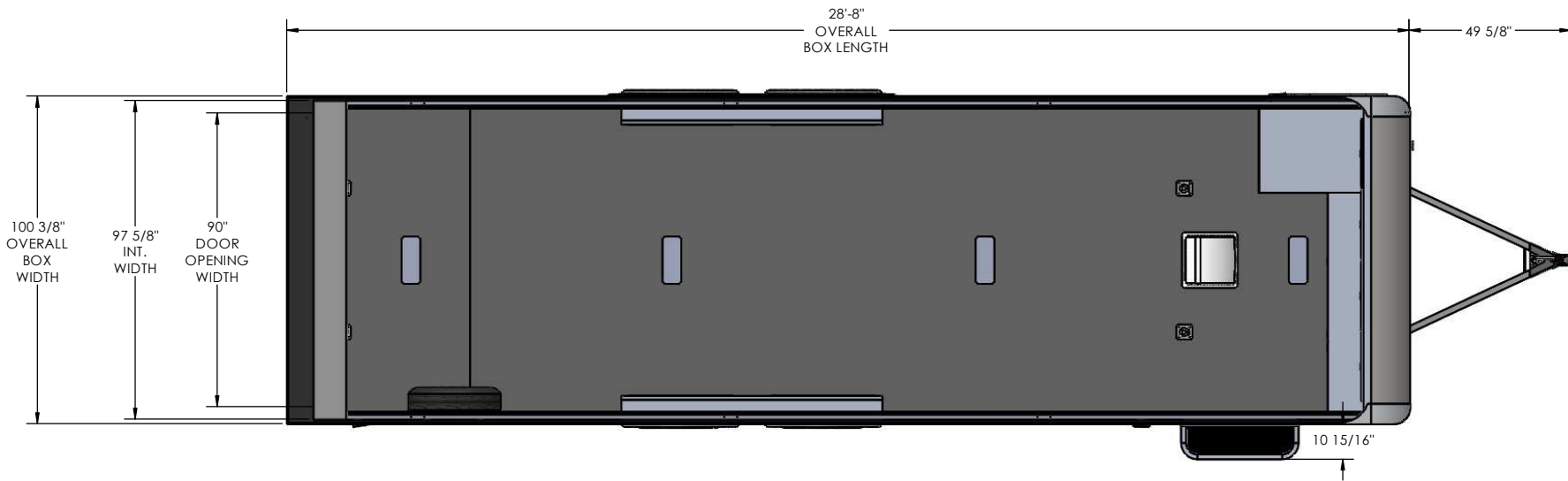



ROAD SIDE VIEW



CURB SIDE VIEW

 <p>WORLD CLASS TRAILERS</p>	TITLE: 28 FT RCL - RAVEN LIMITED CH			
	DRAWN BY:	DATE:	VIN/PART #	REV.
	HRM	05/07/21	Marketing	
	FILE NAME: CUS, AL - Car Hauler 2021 - Raven - 28 ft Marketing			
SCALE: 1:28	DATE PRINTED: 5/25/2021	SHEET 5 OF 6		

TITLE: 28 FT RCL - RAVEN LIMITED CH			
DRAWN BY: HRM	DATE: 05/07/21	VIN/PART # Marketing	REV.
FILE NAME: CUS, AL - Car Hauler 2021 - Raven - 28 ft Marketing			
SCALE:1:26	DATE PRINTED: 5/25/2021	SHEET 6 OF 6	