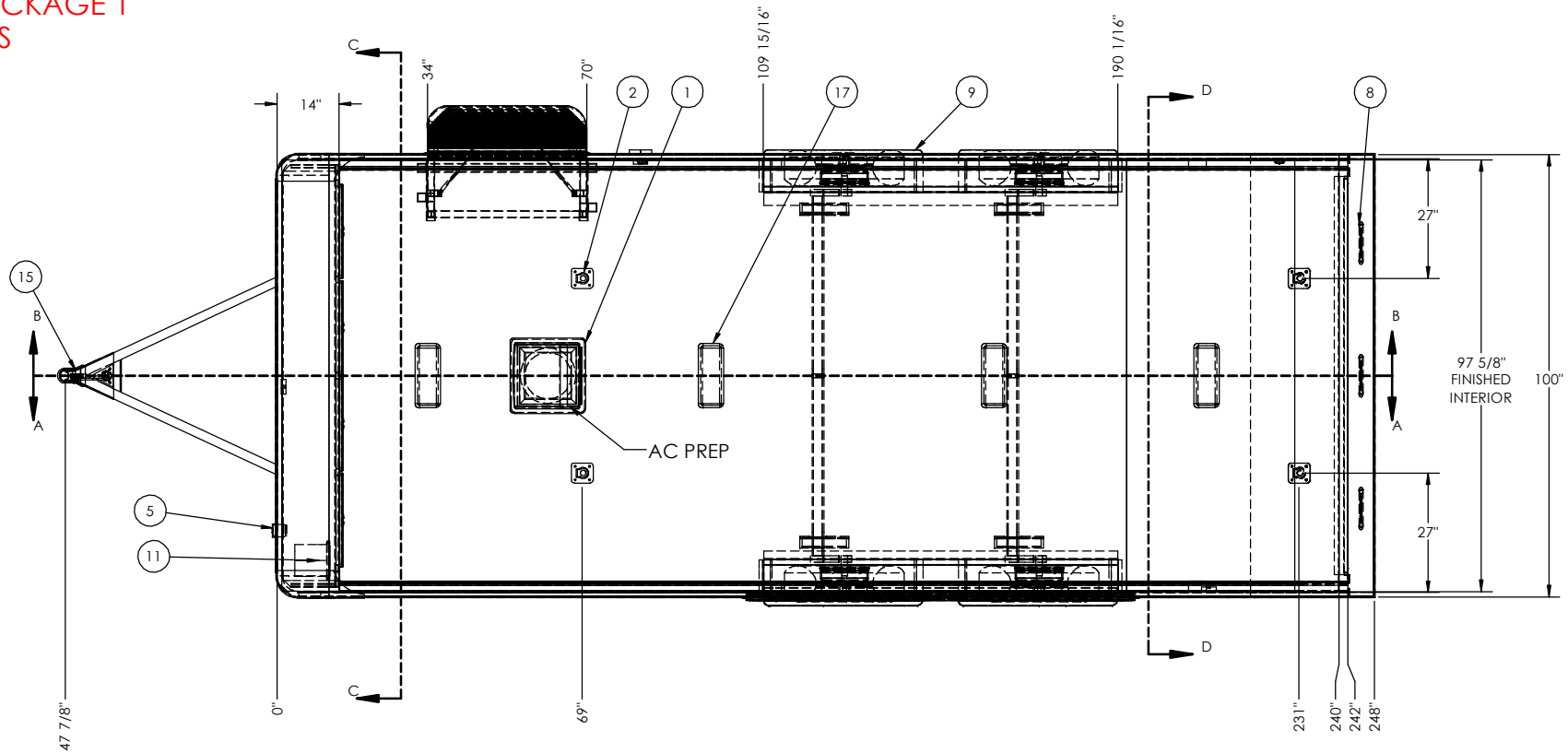


**CONFIGURATIONS DISPLAYED:**  
**20 FT RAVEN LIMITED CAR HAULER**  
**DELUXE PACKAGE**  
**CABINET PACKAGE 1**  
**3500# AXLES**



BOM TABLE

ITEM NO	PART NO	FILE NAME	DESCRIPTION	QTY.
1	124898	124898	VENT - ROOF - MANUAL - 14" - W/MAXXAIR COVER	1
2	137102	125777	D-RINGS - 5000# - RECESSED	4
3	130412	130412	SWITCH - WALL - 12V - BLACK	2
4	131276	131276	7 - Way truck plug	1
5	133279	133279	POWER INLET - MOTORBASE - 30A - W/ SHORE CORD - 25'	1
6	137105	137105	RECEPT - EXTERIOR - 120V - 15A - GFI PROTECTED	1
7	137107	137107	RECEPT - INTERIOR - 120V - 15A	3
8	87493	87493	BACK UP LIGHT	3
9	41700	Aluminum Fender	Mill Finish - 84" Ext. Length	2
10		ASSEMBLY - CABINET PACKAGE - CH - 920		1
11		BREAKER BOX	30 AMP WITH CONVERTER	1
12		CAST CORNERS		1
13		DOOR - ENTRY - 110 SERIES - 36 X 78 - RH - FL - 20 ft Marketing		1
14		DOOR - ESCAPE - PREMIUM - 88W X 66H X 11WW X 10FRM - 224681		1
15		FRM, AL - Car Hauler 2021 - Raven - 20 ft Marketing		1
16		Ground - 20 ft raven		1
17		LIGHT, CEILING - SURFACE MOUNT		4
18		RCL Cutlists - 20 ft Marketing		1
19		TRANSITION FLAP - 20 ft Raven Marketing		1
20	41396	WHEEL WELL, AL - QUEST	7.5 x 11 x 80	1
21		WHEEL WELL, AL - QUEST	7.5 x 11 x 80 PED	1

**ALL LOCATIONS ARE NOMINAL UNLESS CRITICAL**  
**DIMENSIONS ARE SPECIFICALLY NOTED**

PROPRIETARY AND CONFIDENTIAL:  
 THE INFORMATION CONTAINED IN THIS DRAWING IS THE SOLE  
 PROPERTY OF THE ALUMINUM TRAILER COMPANY. ANY  
 REPRODUCTION IN PART OR AS A WHOLE WITHOUT THE WRITTEN  
 PERMISSION OF THE ALUMINUM TRAILER COMPANY IS PROHIBITED.

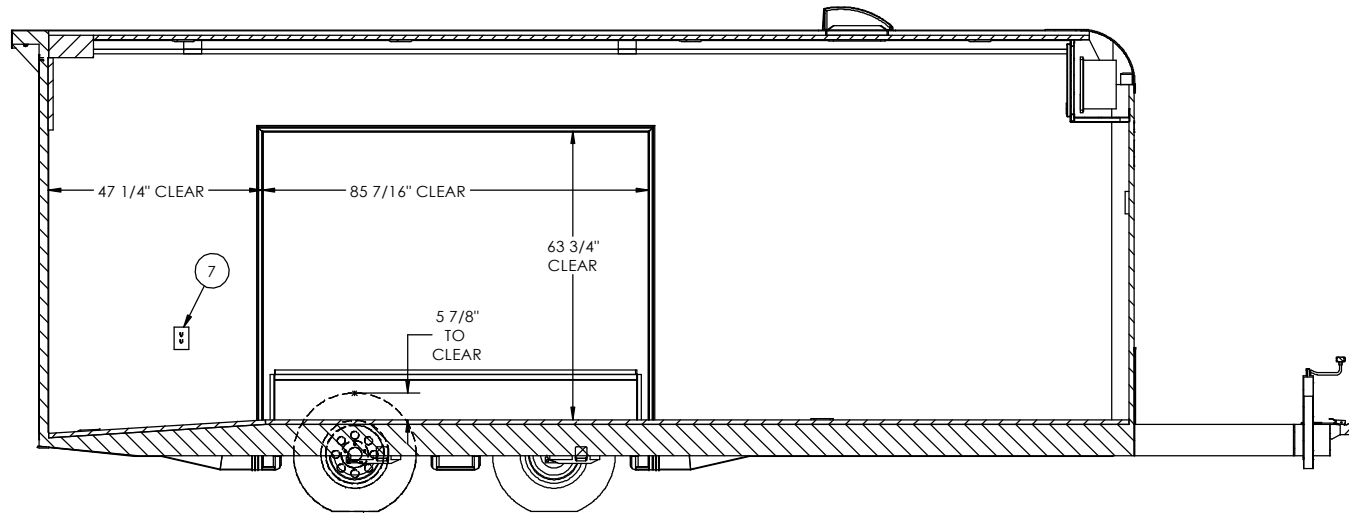


TITLE: **20 FT RCL - RAVEN LIMITED CH**

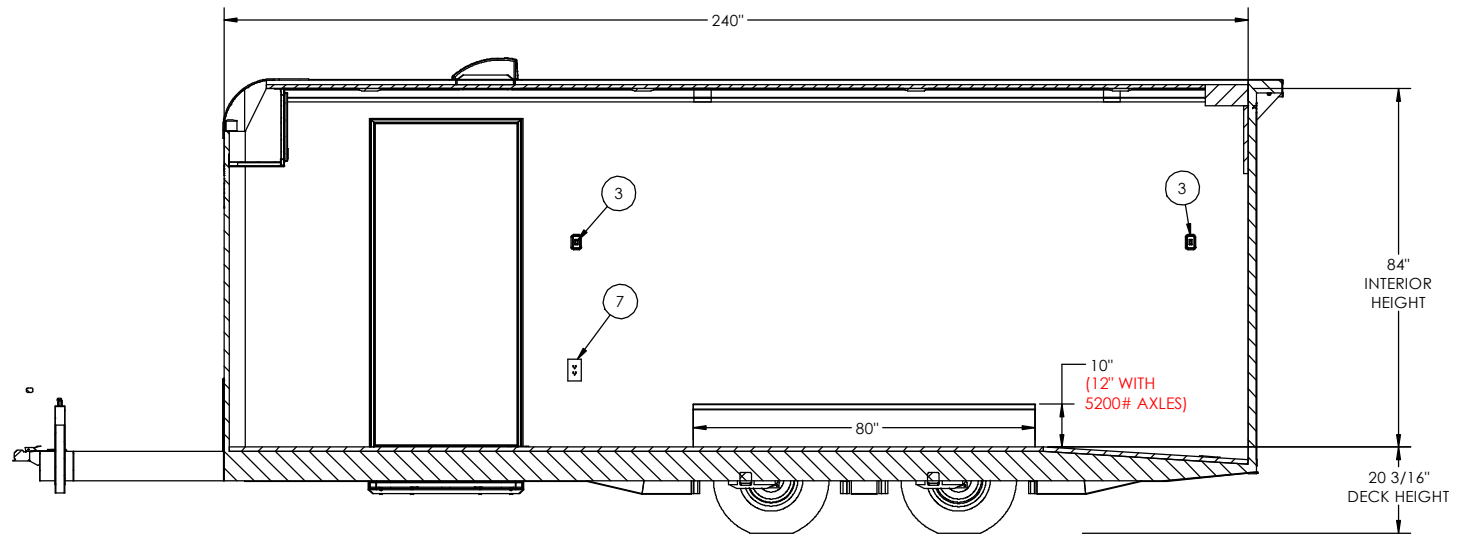
DRAWN BY:	DATE:	VIN/PART #	REV.
HRM	05/05/21	<b>MARKETING</b>	
FILE NAME: CUS, AL - Car Hauler 2021 - Raven - 20 ft Marketing			
SCALE:1:20	DATE PRINTED: 5/25/2021	SHEET 1 OF 6	

REVISION TABLE			
REV.	DESCRIPTION	DATE	DONE BY

DWG PATH: C:\Eng\_Vault\Master Records\Templates\CAR HAULER\Marketing\20 ft Raven\



**INTERIOR ROADSIDE**

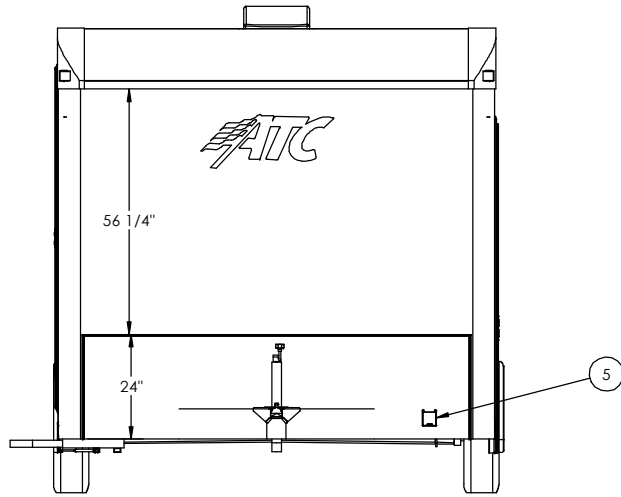


**INTERIOR CURBSIDE**

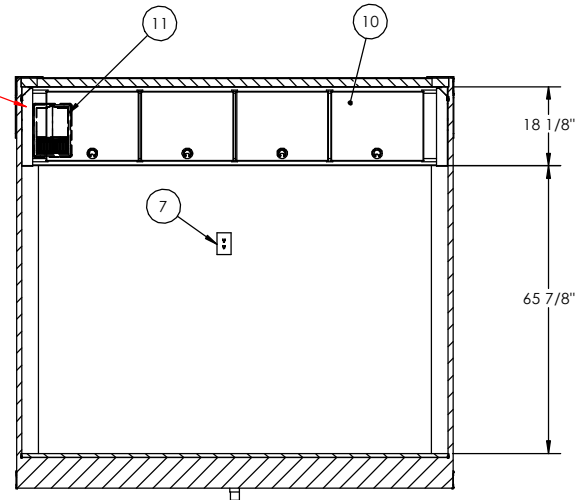


TITLE: 20 FT RCL - RAVEN LIMITED CH			
DRAWN BY: HRM	DATE: 05/05/21	VIN/PART #	REV. MARKETING
FILE NAME: CUS, AL - Car Hauler 2021 - Raven - 20 ft Marketing			
SCALE: 1:64	DATE PRINTED: 5/25/2021	SHEET 2 OF 6	

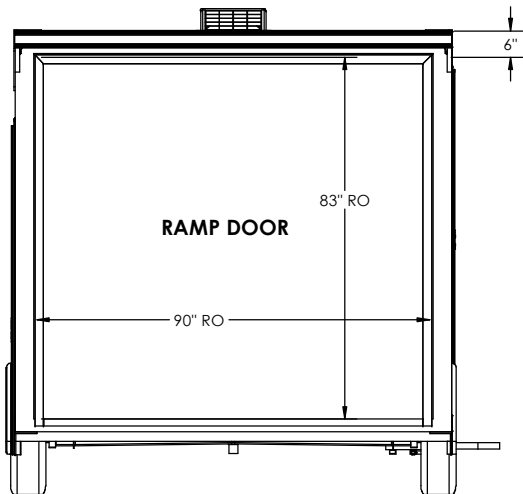
**CABINET PACKAGE 1 SHOWN.  
REFER TO CABINET PRINTS FOR  
OTHER CABINET OPTIONS.**



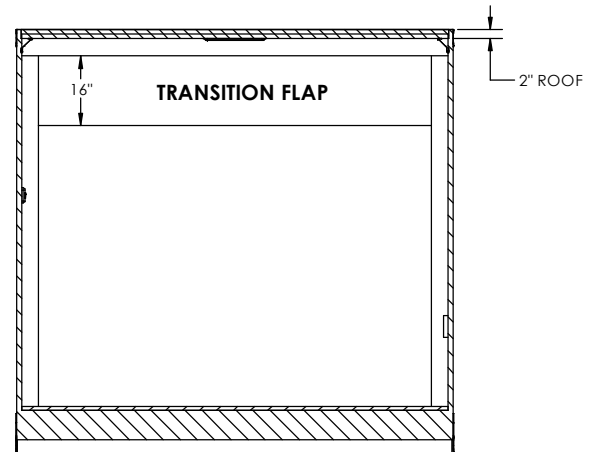
**EXTERIOR FRONT**



**INTERIOR FRONT**



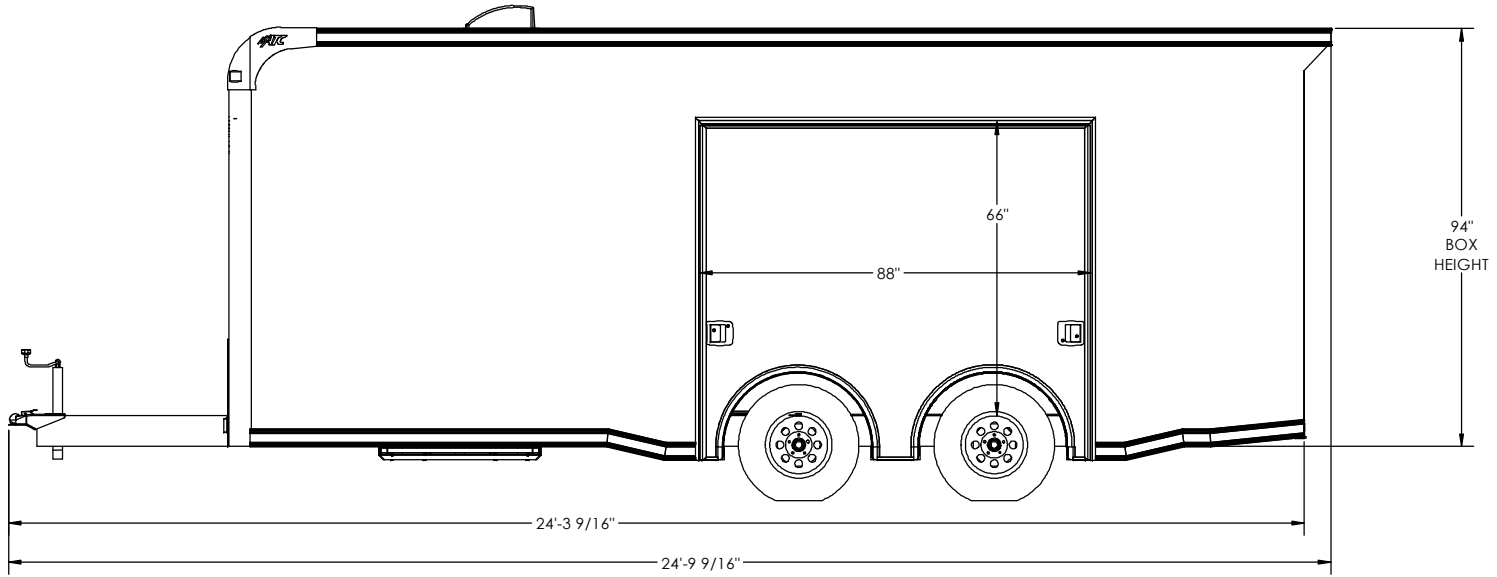
**EXTERIOR REAR**



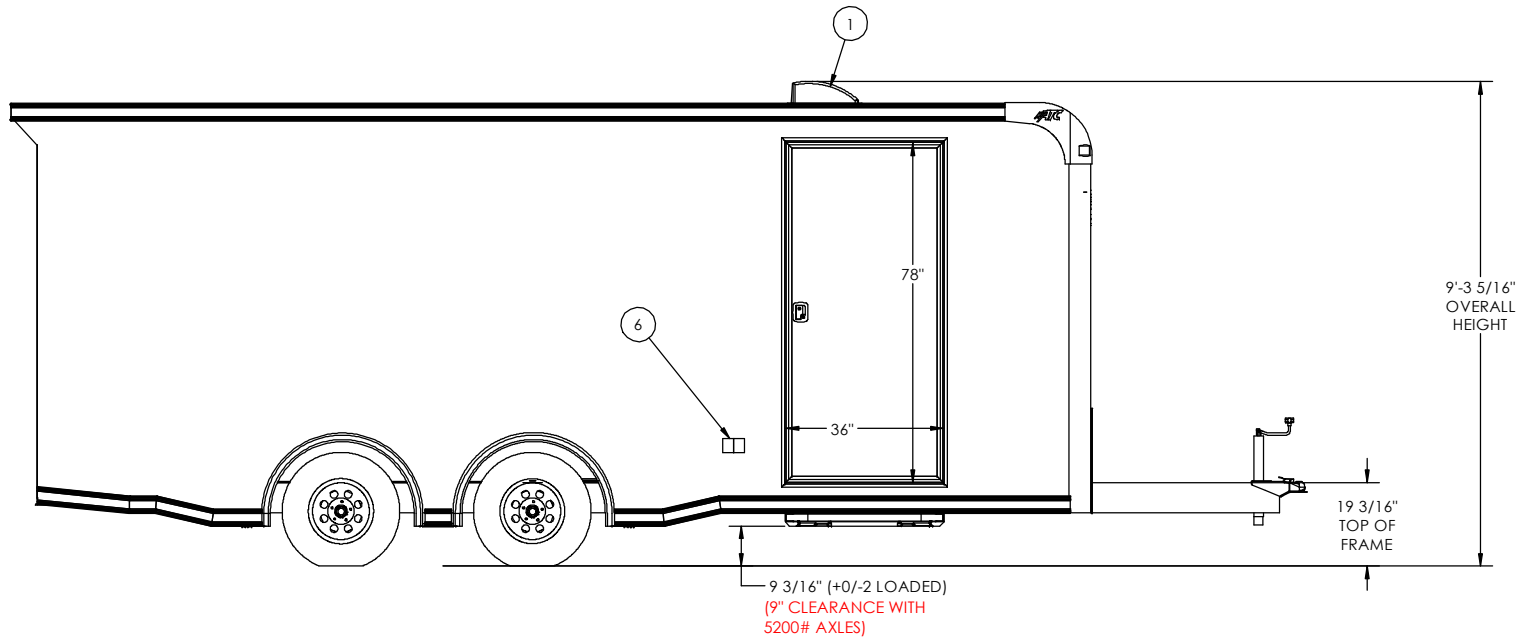
**INTERIOR REAR**




TITLE: 20 FT RCL - RAVEN LIMITED CH			
DRAWN BY: HRM	DATE: 05/05/21	VIN/PART #	REV.
		MARKETING	
FILE NAME: CUS, AL - Car Hauler 2021 - Raven - 20 ft Marketing			
SCALE: 1:64	DATE PRINTED: 5/25/2021	SHEET 3 OF 6	

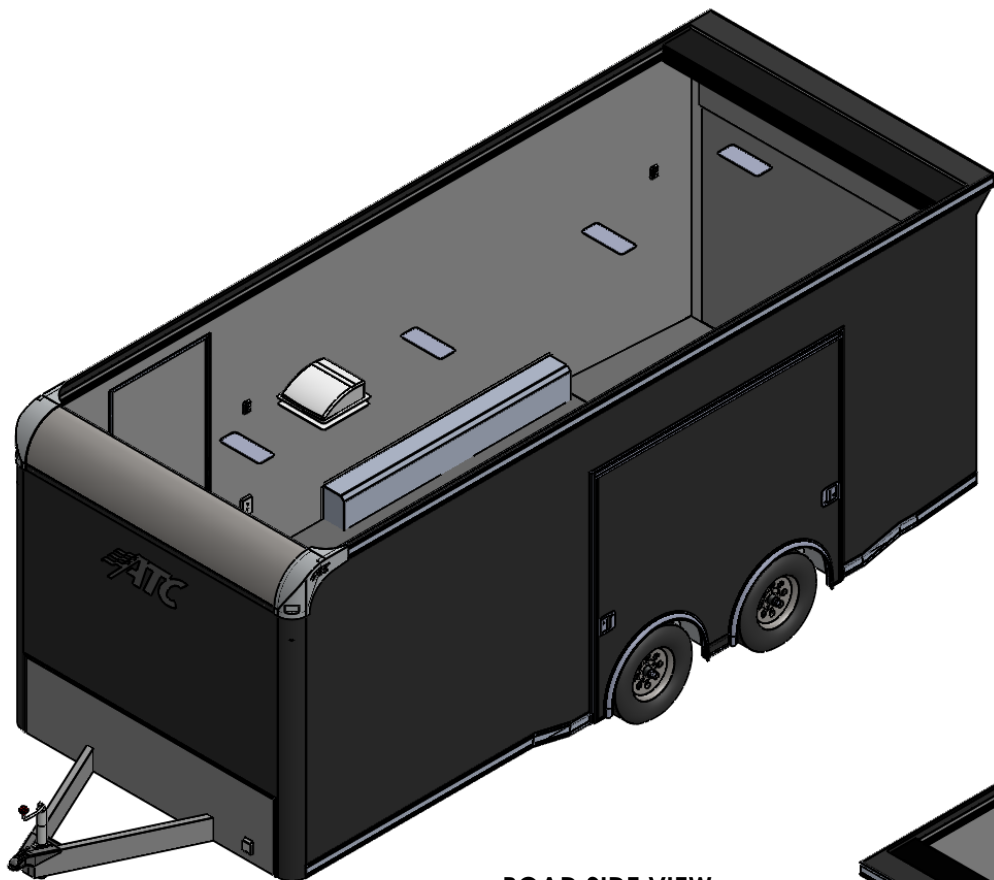


**EXTERIOR ROAD SIDE**

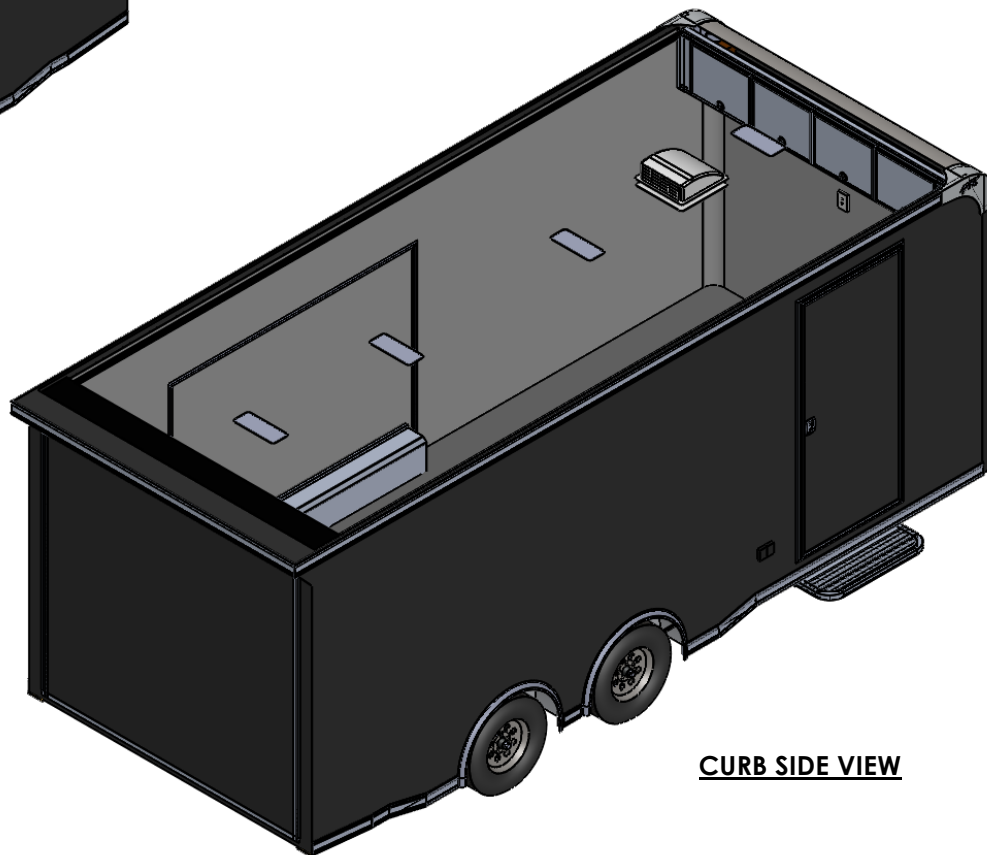


**EXTERIOR CURB SIDE**

	TITLE: 20 FT RCL - RAVEN LIMITED CH			REV.
	DRAWN BY: HRM	DATE: 05/05/21	VIN/PART #	MARKETING
FILE NAME: CUS, AL - Car Hauler 2021 - Raven - 20 ft Marketing				
SCALE: 1:64	DATE PRINTED: 5/25/2021	SHEET 4 OF 6		



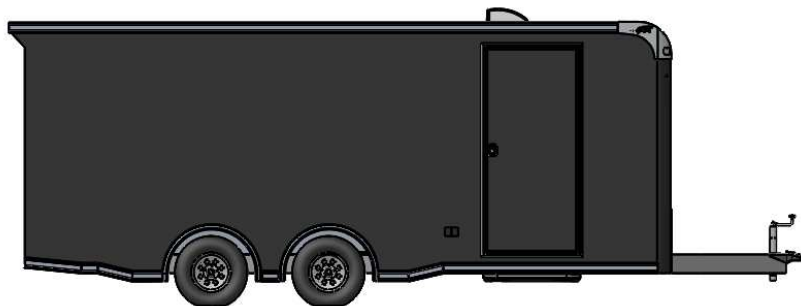
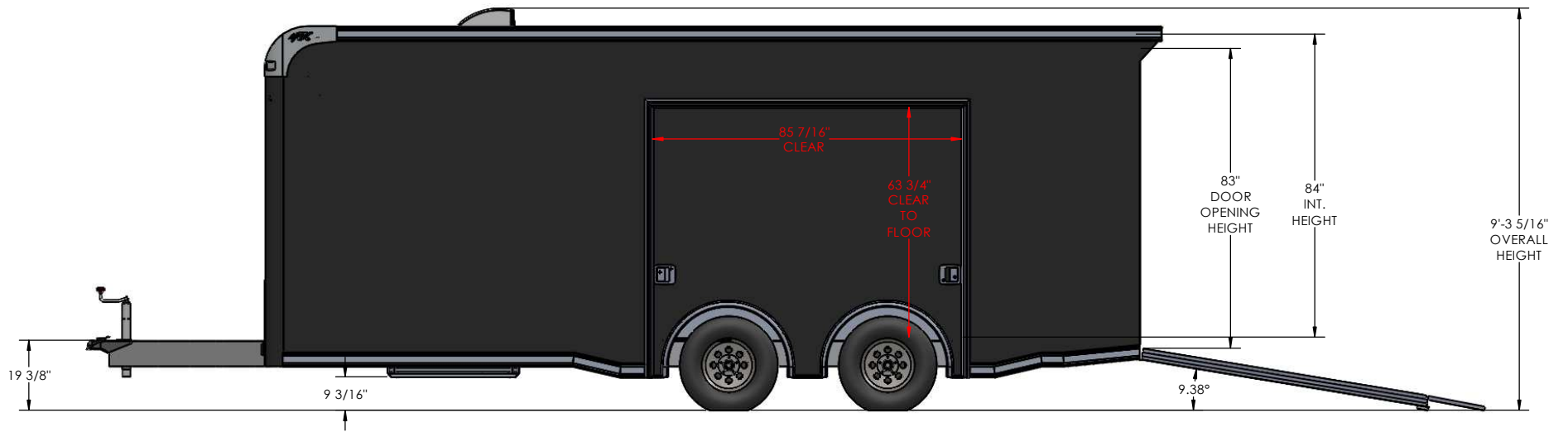
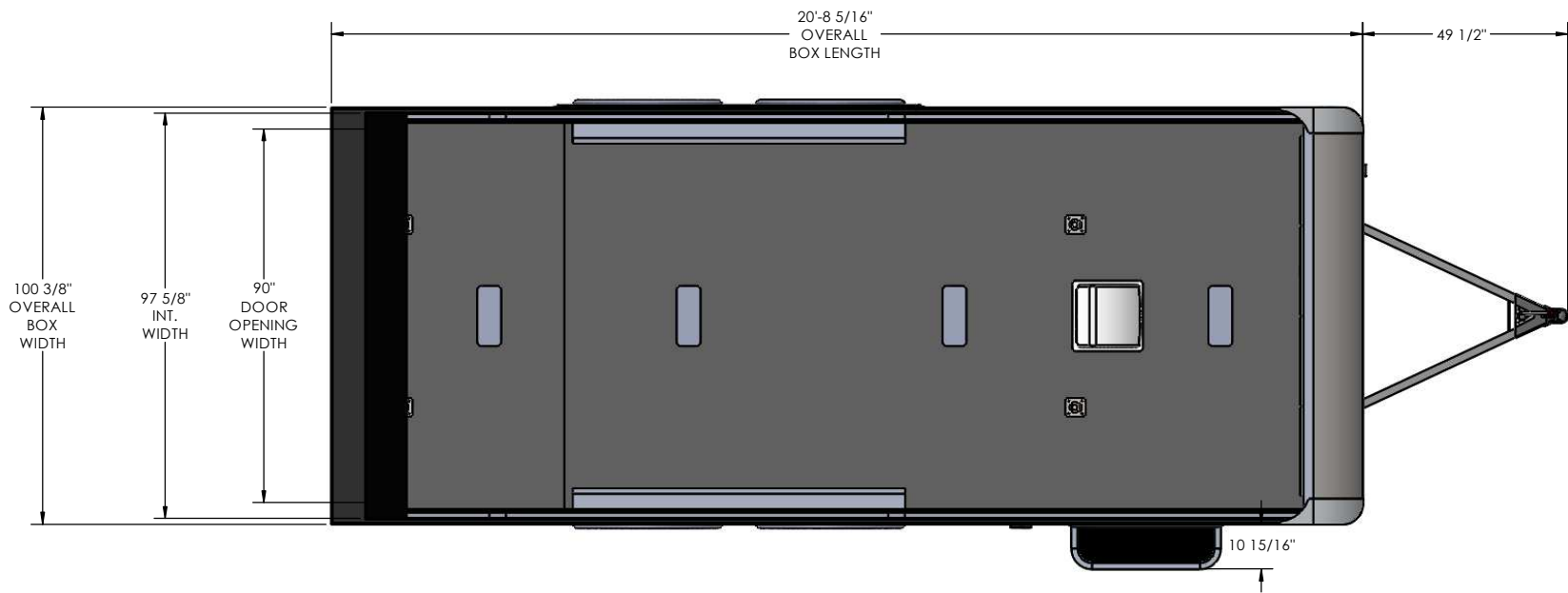
**ROAD SIDE VIEW**



**CURB SIDE VIEW**



TITLE: 20 FT RCL - RAVEN LIMITED CH			
DRAWN BY: HRM	DATE: 05/05/21	VIN/PART #	REV.
FILE NAME: CUS, AL - Car Hauler 2021 - Raven - 20 ft Marketing			MARKETING
SCALE:1:24	DATE PRINTED: 5/25/2021	SHEET 5 OF 6	



TITLE: 20 FT RCL - RAVEN LIMITED CH			
DRAWN BY: HRM	DATE: 05/05/21	VIN/PART #	REV. MARKETING
FILE NAME: CUS, AL - Car Hauler 2021 - Raven - 20 ft Marketing			
SCALE: 1:22	DATE PRINTED: 5/25/2021	SHEET 6 OF 6	