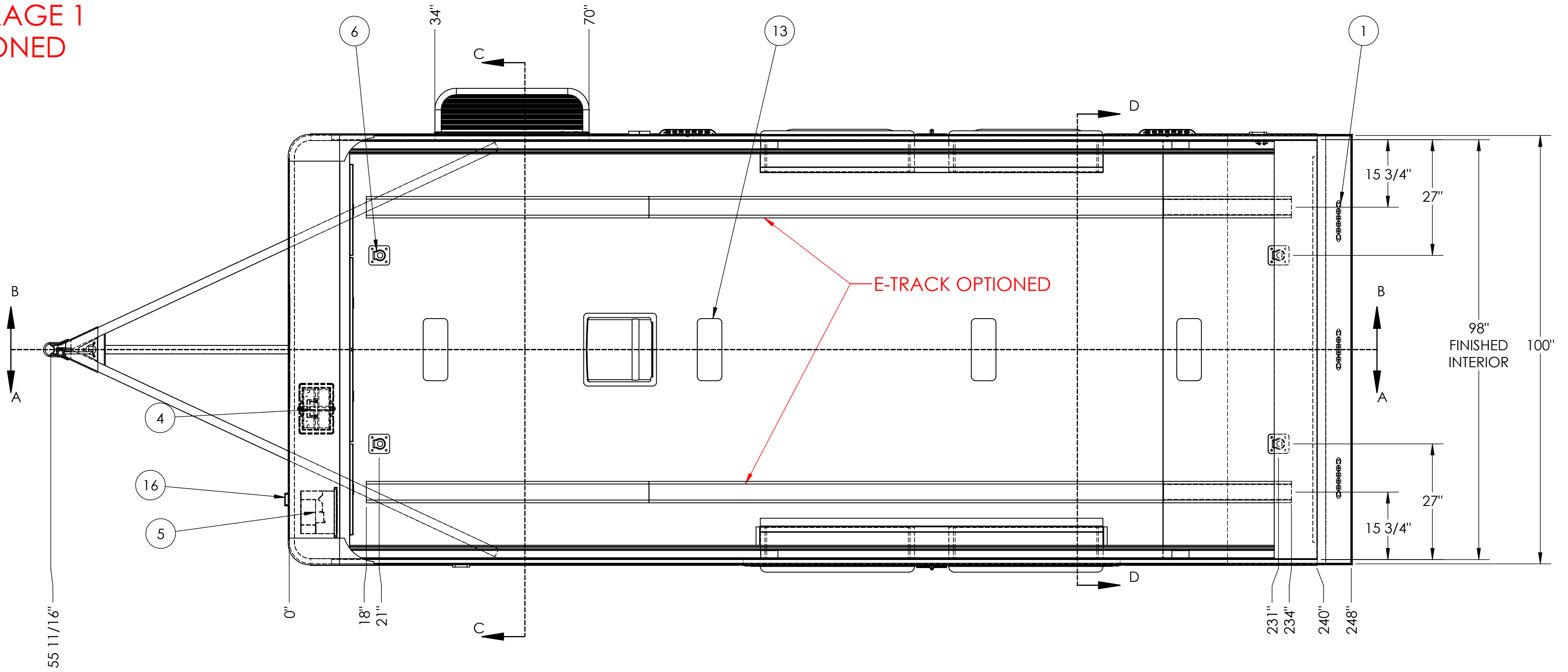


**CONFIGURATIONS DISPLAYED:**  
 20 FT QUEST LIMITED CAR HAULER  
 EXTERIOR PACKAGE  
 CABINET PACKAGE 1  
 E-TRACK OPTIONED  
 5200# AXLES



BOM TABLE				
ITEM NO	PART NO	FILE NAME	DESCRIPTION	QTY
1		87493	BACK UP LIGHT	3
2	65946	Aluminum Fender	Polished Finish - 84" Ext. Length	2
3		ASSEMBLY - CABINET PACKAGE - CH - 920		1
4		BATTERY	AGM, 775 CCA	1
5	48260	BREAKER BOX	50 AMP WITH CONVERTER	1
6	90971	D-RING - RECESSED	5,000#	4
7		DOOR - ENTRY - 36 X 78 - FMVSS - RH - 20 ft Marketing Quest		1
8		DOOR, STAGE - 20 ft Raven Marketing		1
9		E-TRACK, HORIZONTAL		2
10		E-TRACK, HORIZONTAL		2
11		E-TRACK, HORIZONTAL		2
12		ESCAPE DOOR - AWNING STYLE, 88X66X13X10 - FMVSS - Quest 20 ft Marketing		1
13		LIGHT, CEILING - SURFACE MOUNT		4
14	131501	LIGHT, LED SCENE	10V-14V - 2300 Lumen	2
15		LIGHT, STRIP		1
16		MOTORBASE	50 AMP	1
17		OUTLET, ELECTRICAL	120V 15A EXTERIOR	1
18	11978	OUTLET, ELECTRICAL	120V 15A INTERIOR	3
19		ROOF VENT	VENT - ROOF - MANUAL 14"	1
20		SWITCH, POWER	12V, 1 Gang	1
21		SWITCH, POWER	12V, 2 Gang	2
22		TRANSITION FLAP - 20 ft Raven Marketing		1
23	40249	WHEEL WELL, AL - QUEST	7.5 x 13 x 80	1
24	117837	WHEEL WELL, AL - QUEST	7.5 x 13 x 80 PED	1
25		TURN SIGNAL		2
26		VENT, SALEM		2

**ALL LOCATIONS ARE NOMINAL UNLESS CRITICAL DIMENSIONS ARE SPECIFICALLY NOTED**

PROPRIETARY AND CONFIDENTIAL:  
 THE INFORMATION CONTAINED IN THIS DRAWING IS THE SOLE PROPERTY OF THE ALUMINUM TRAILER COMPANY. ANY REPRODUCTION IN PART OR AS A WHOLE WITHOUT THE WRITTEN PERMISSION OF THE ALUMINUM TRAILER COMPANY IS PROHIBITED.



TITLE:  
**QCLAB8520+0-2T5.2K - PED**

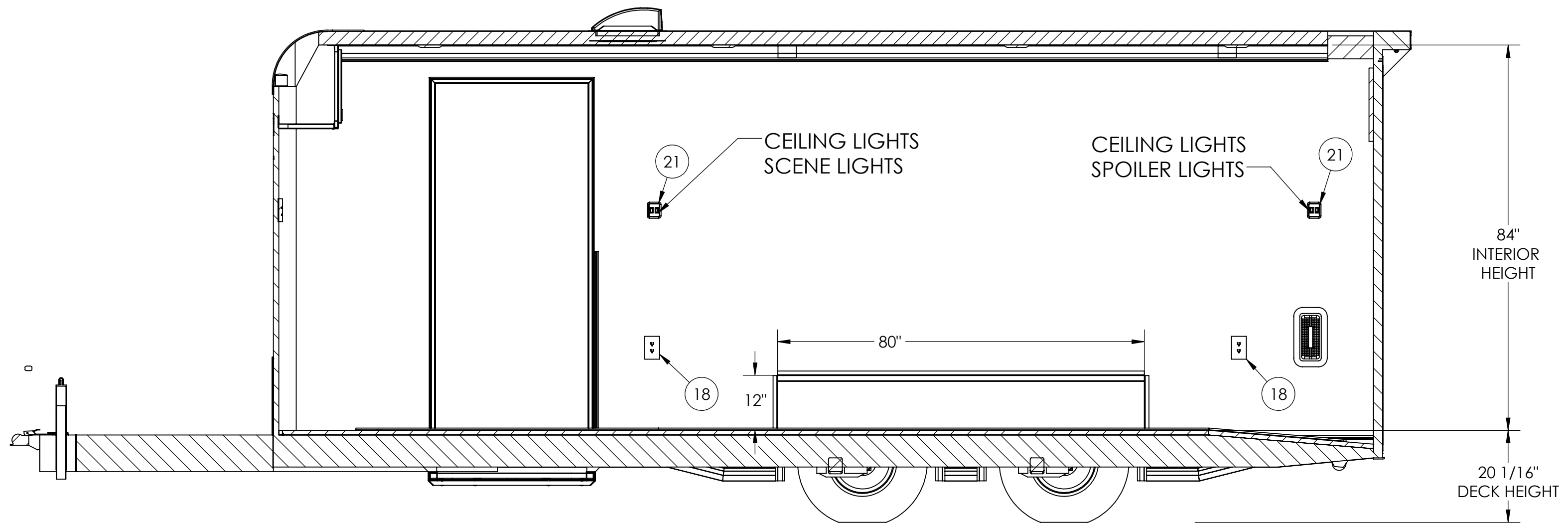
DRAWN BY: HRM DATE: 05/26/21 VIN/PART # Marketing REV.

FILE NAME: CUS, AL - Car Hauler 2021 - Quest - 20 ft Marketing SCALE: 1:20 DATE PRINTED: 5/28/2021 SHEET 1 OF 6

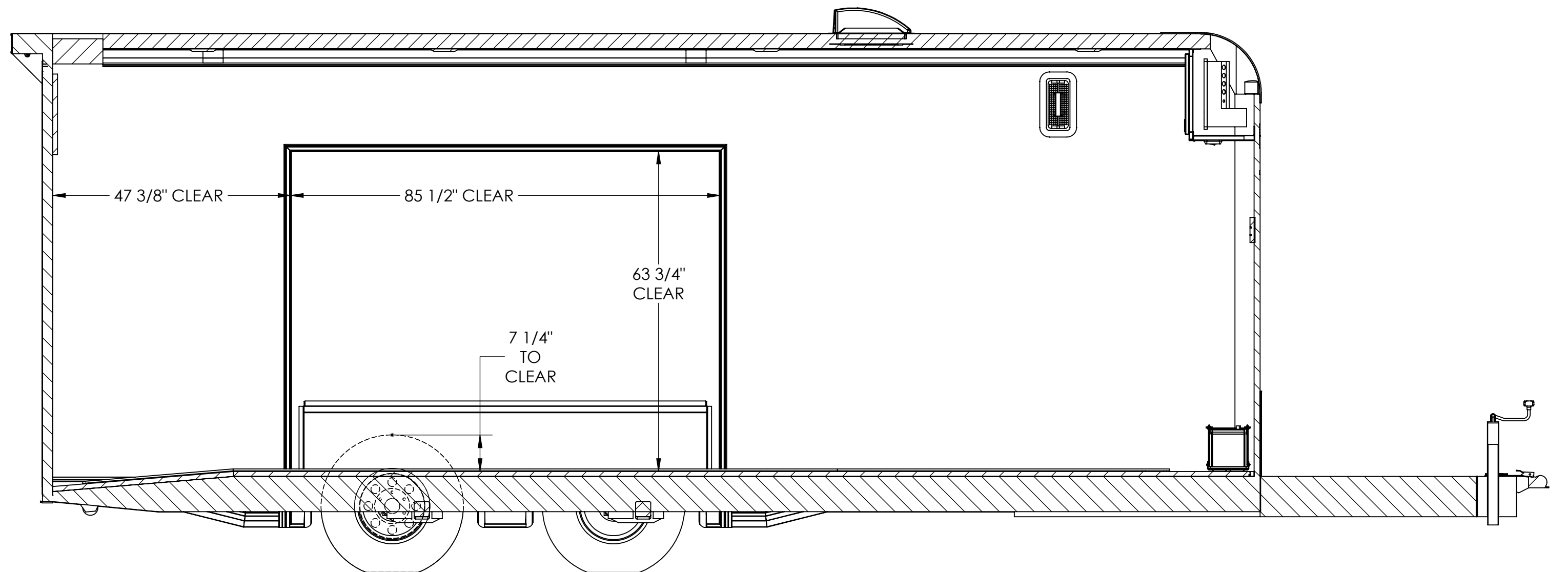
REVISION TABLE

REV.	DESCRIPTION	DATE	DONE BY


DWG PATH: C:\Eng\_Vault\Master Records\Templates\CAR HAULER\Marketing\20 ft Quest\

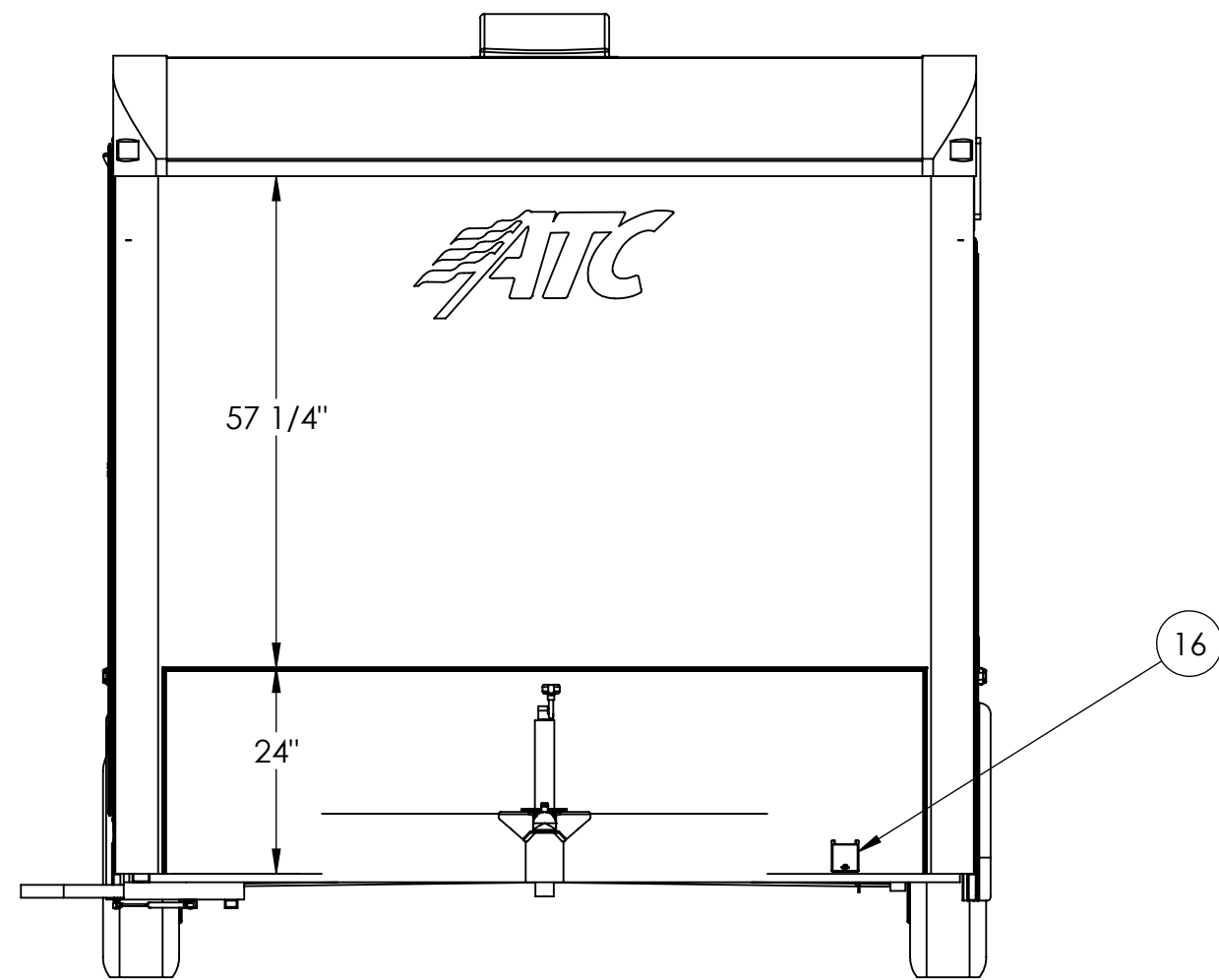


**INTERIOR CURBSIDE**



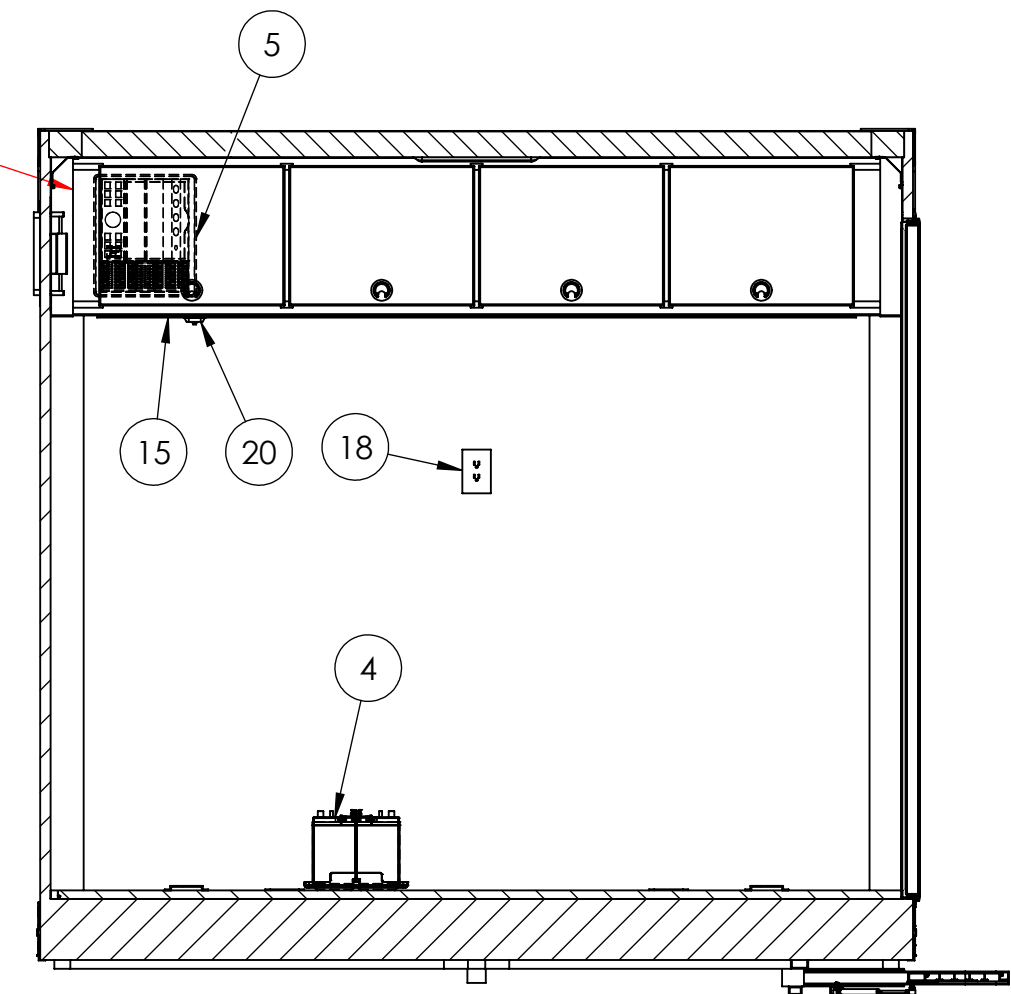
**INTERIOR ROADSIDE**

	TITLE: QCLAB8520+0-2T5.2K - PED			REV.
	DRAWN BY: HRM	DATE: 05/26/21	VIN/PART # Marketing	
	FILE NAME: CUS, AL - Car Hauler 2021 - Quest - 20 ft Marketing			
	SCALE: 1:64	DATE PRINTED: 5/28/2021	SHEET 2 OF 6	

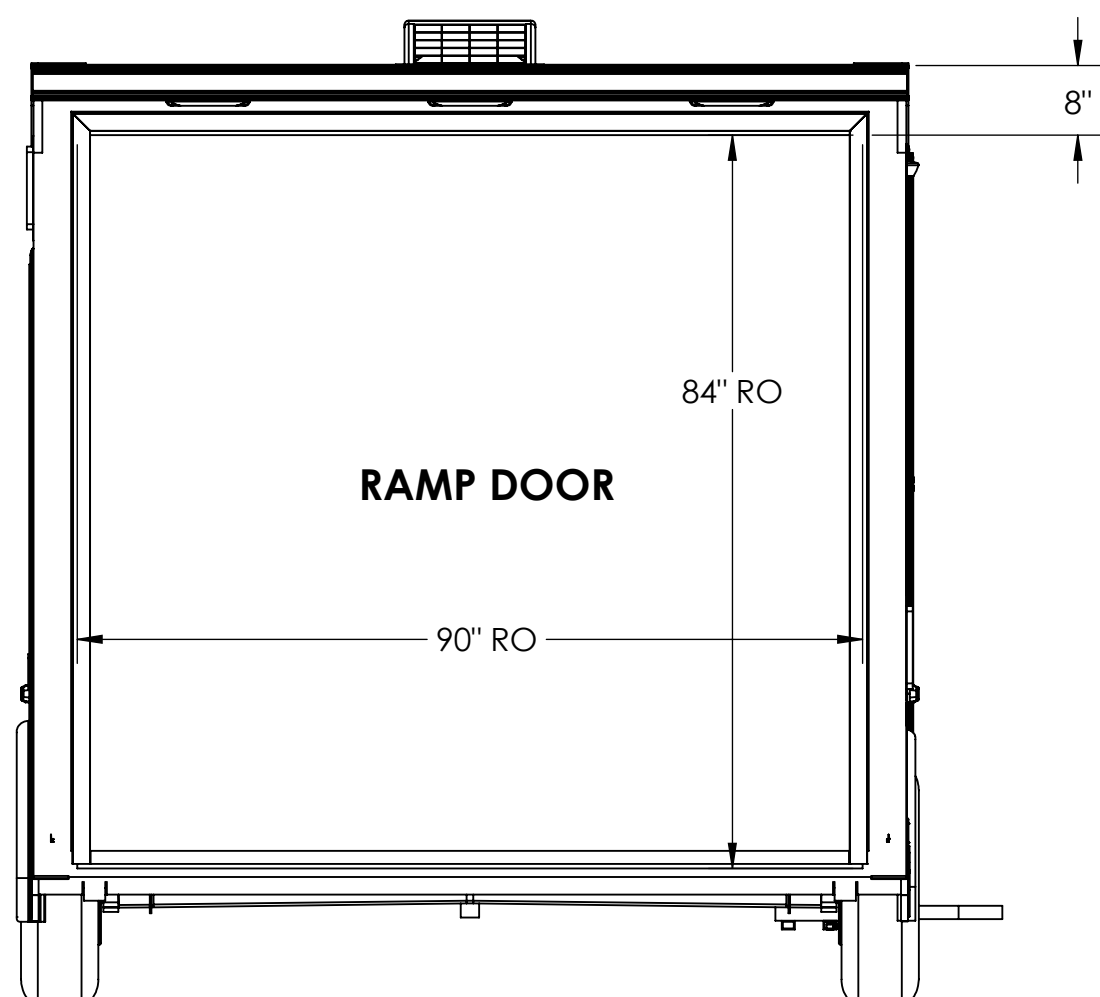


**EXTERIOR FRONT**

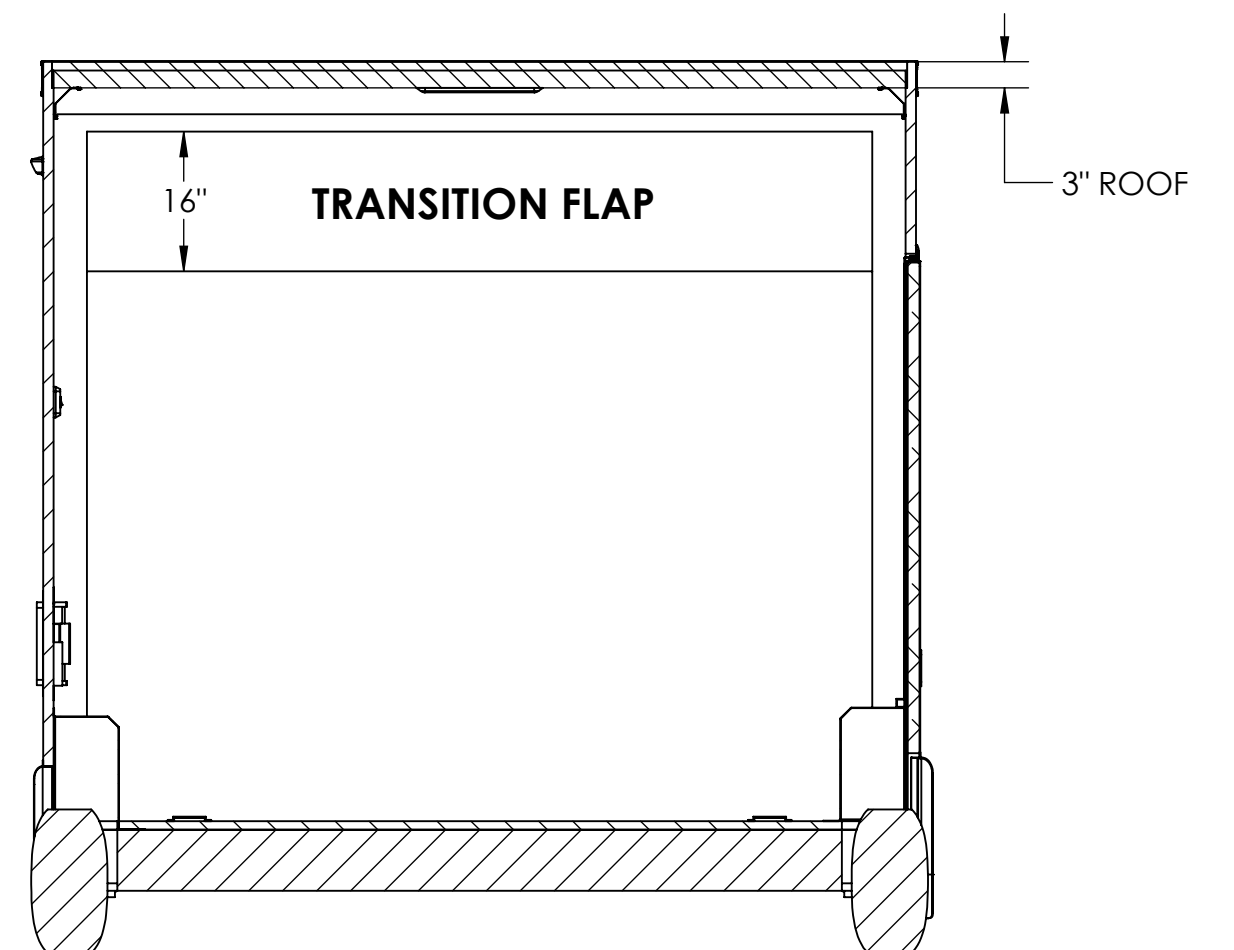
**CABINET PACKAGE 1 SHOWN.  
REFER TO CABINET PRINTS FOR  
OTHER CABINET OPTIONS.**



**INTERIOR FRONT**



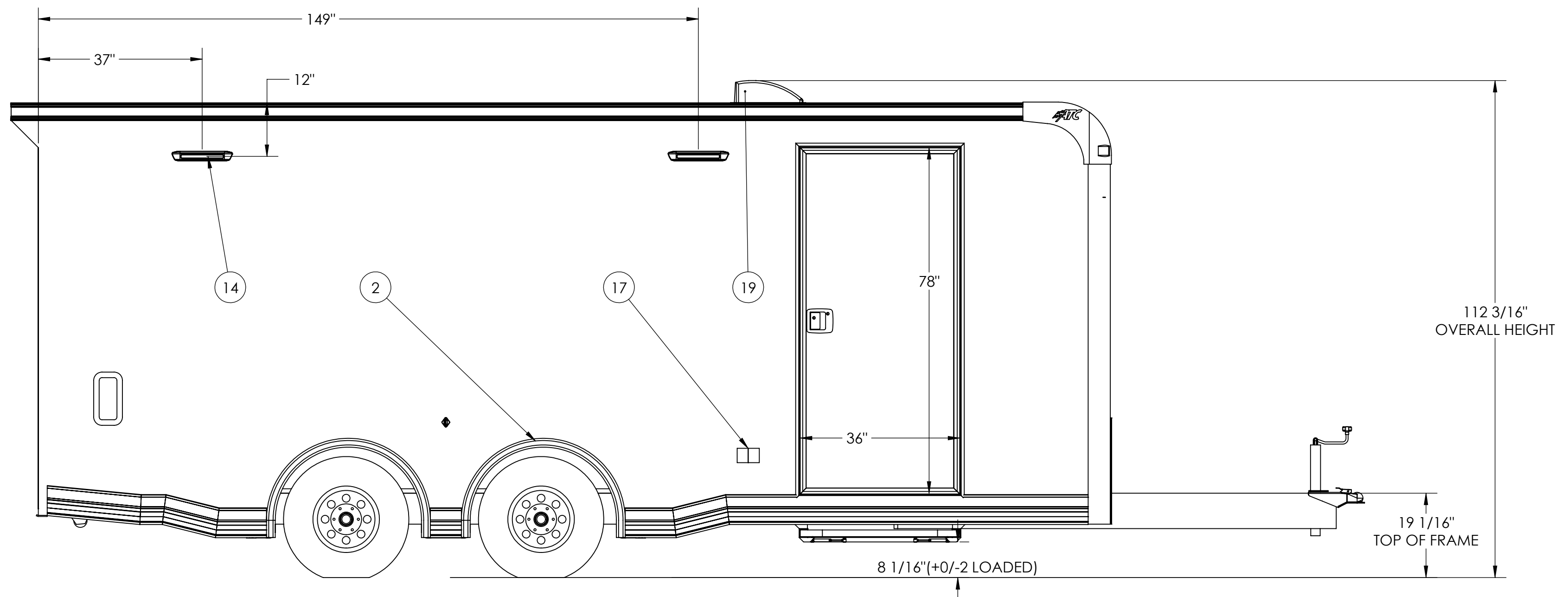
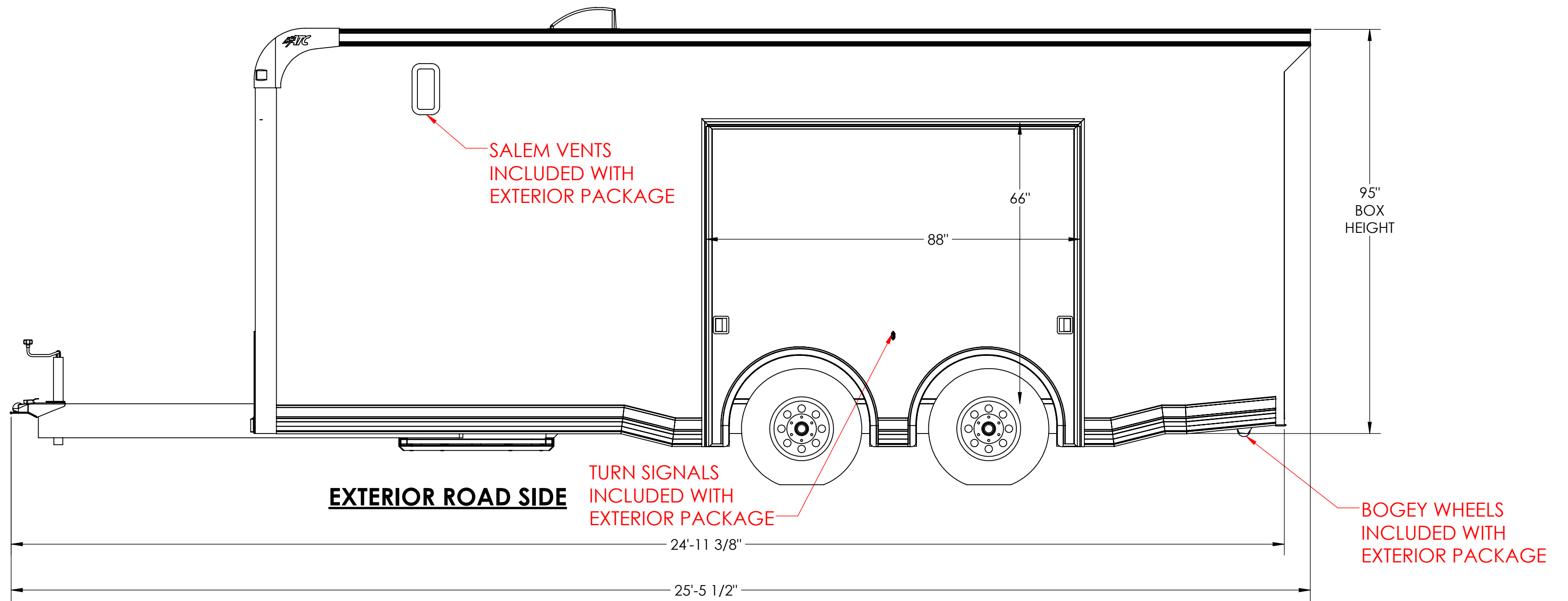
**EXTERIOR REAR**



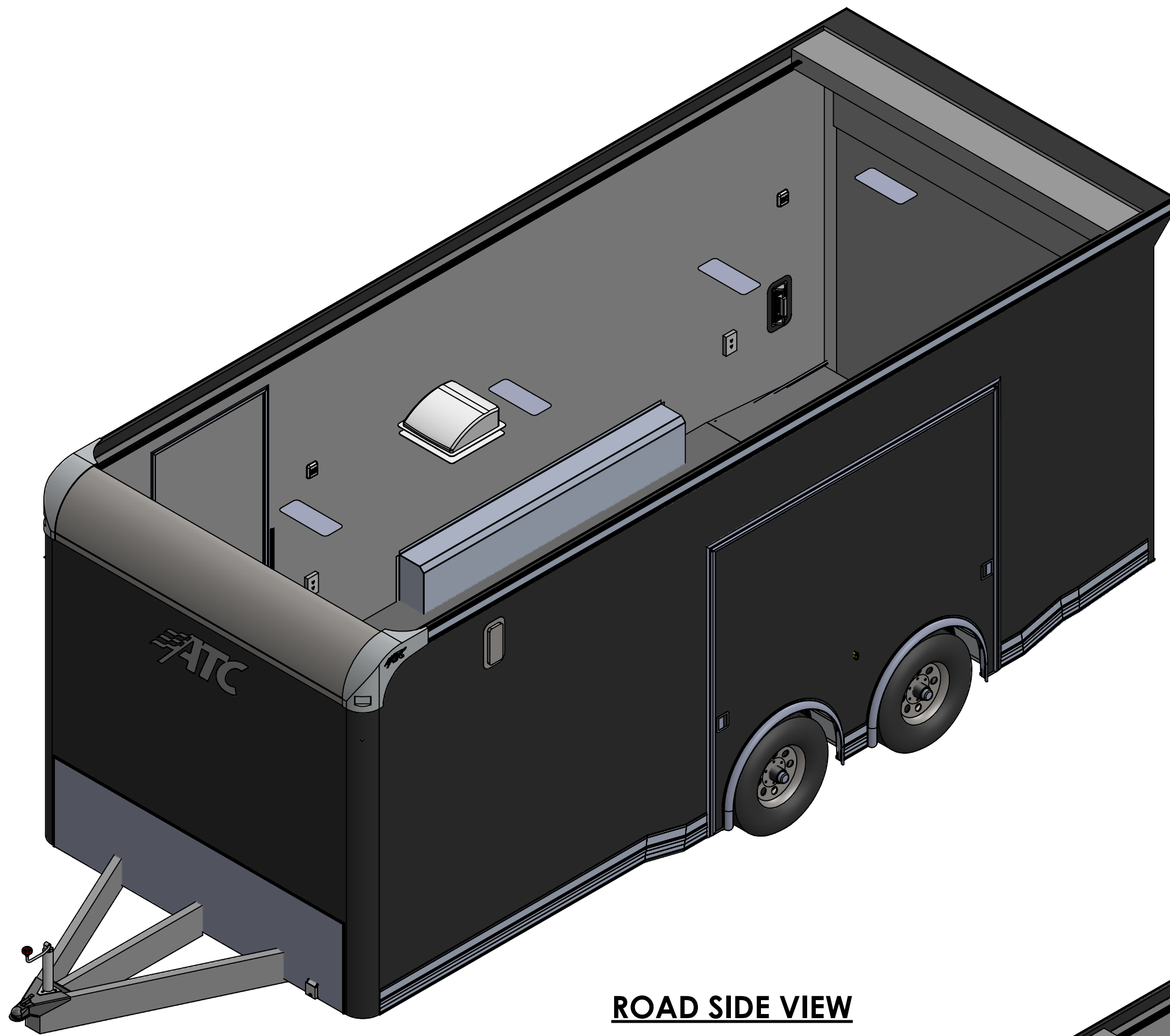
**INTERIOR REAR**



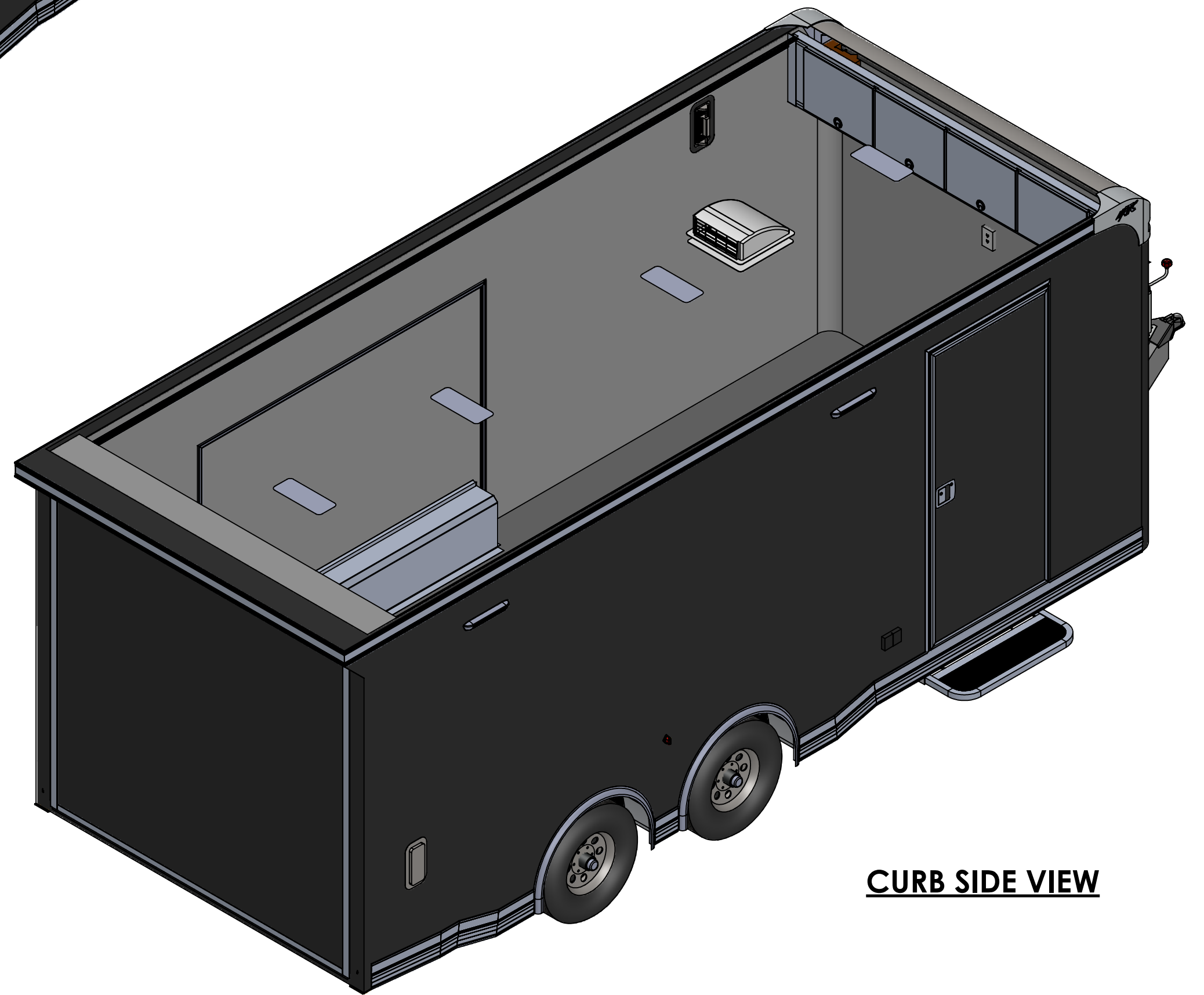
TITLE: QCLAB8520+0-2T5.2K - PED  
 DRAWN BY: HRM DATE: 05/26/21 VIN/PART # Marketing REV.  
 FILE NAME: CUS, AL - Car Hauler 2021 - Quest - 20 ft Marketing  
 SCALE: 1:64 DATE PRINTED: 5/28/2021 SHEET 3 OF 6



TITLE: QCLAB8520+0-2T5.2K - PED			
DRAWN BY: HRM	DATE: 05/26/21	VIN/PART # Marketing	REV.
FILE NAME: CUS, AL - Car Hauler 2021 - Quest - 20 ft Marketing			
SCALE: 1:64	DATE PRINTED: 5/28/2021	SHEET 4 OF 6	



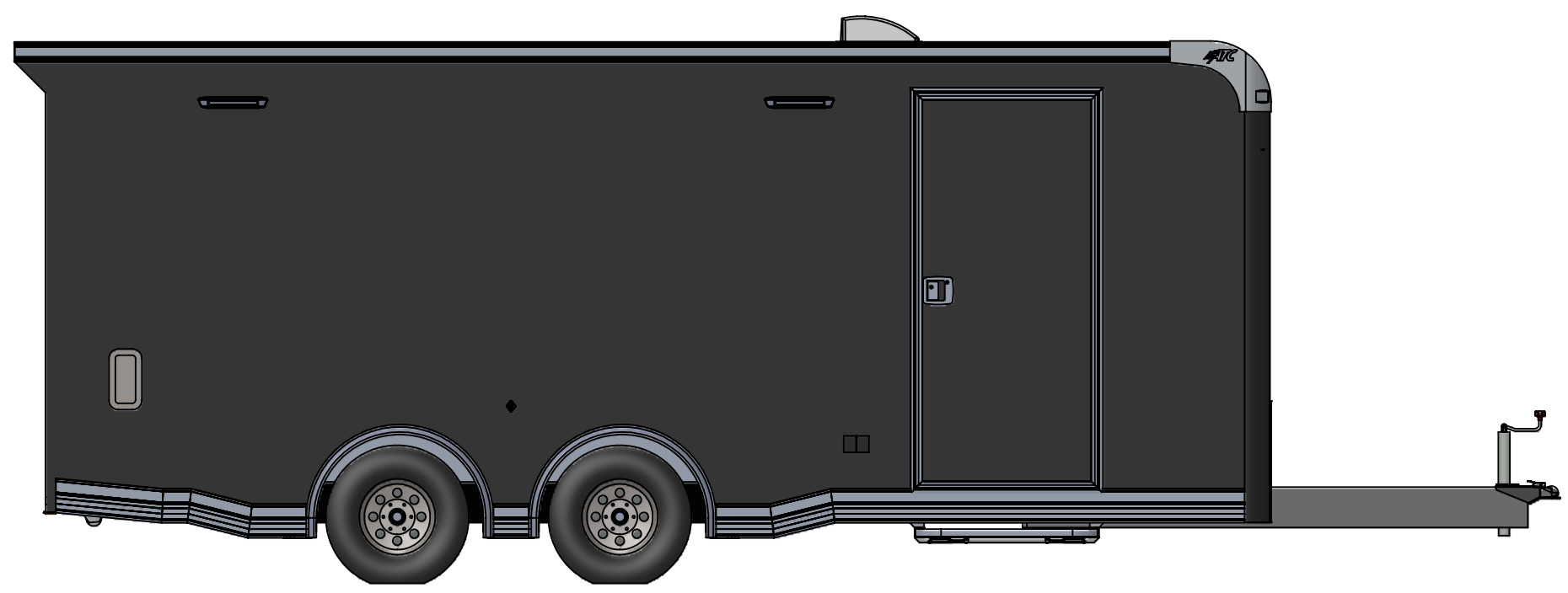
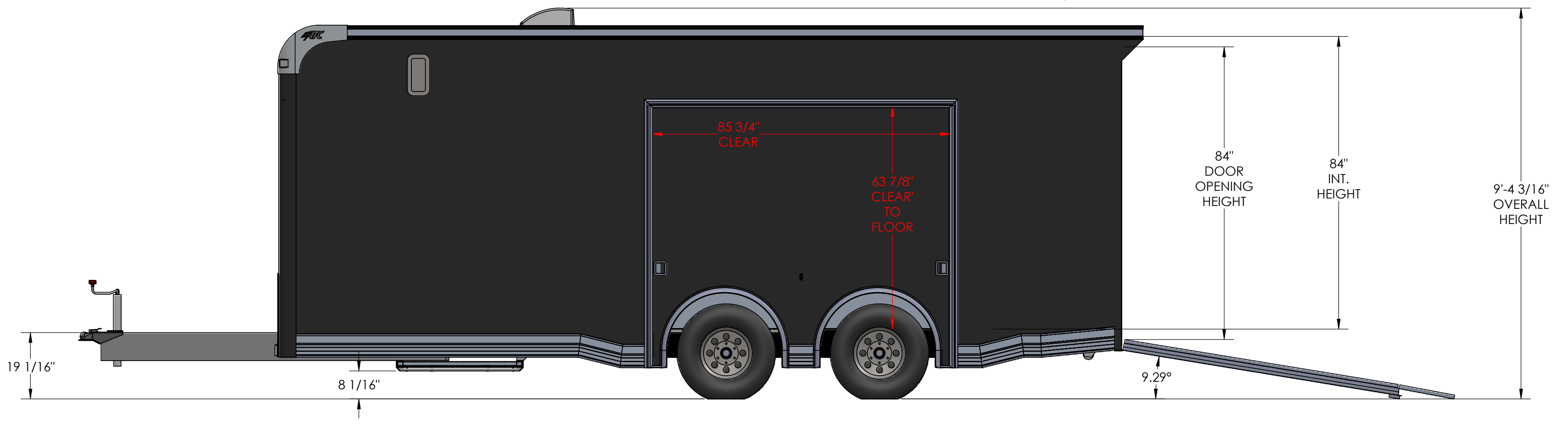
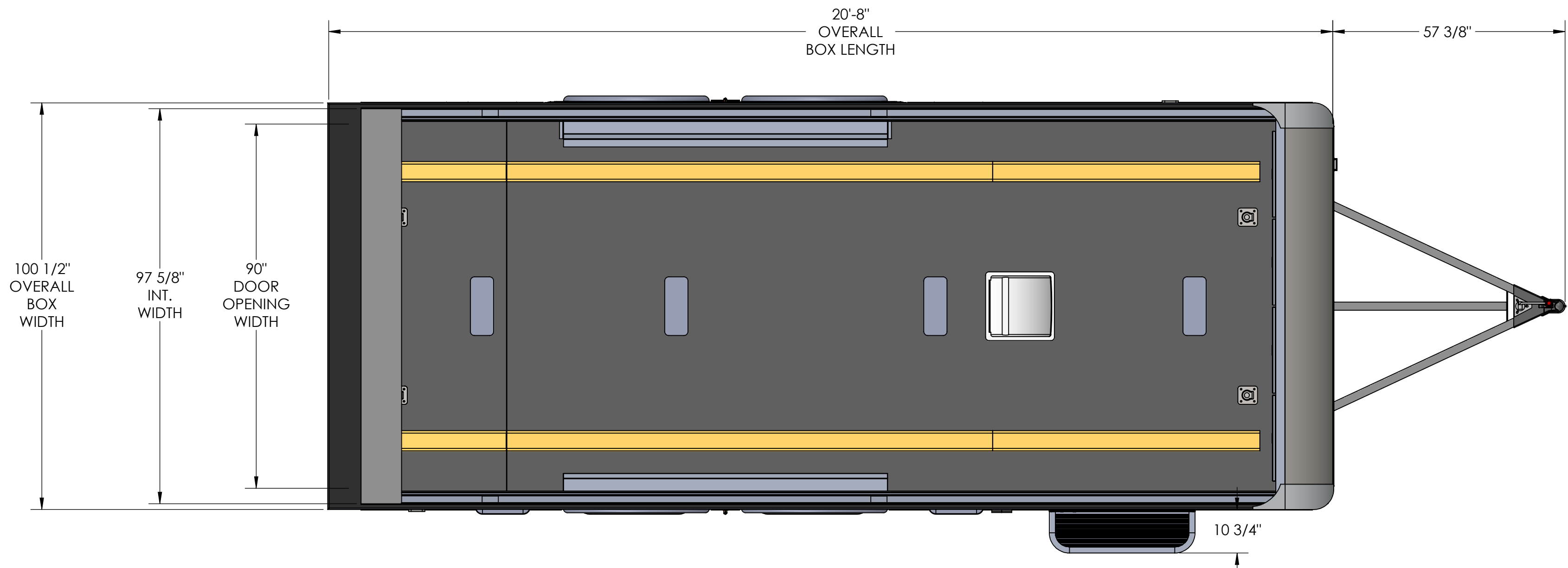
**ROAD SIDE VIEW**



**CURB SIDE VIEW**



TITLE: QCLAB8520+0-2T5.2K - PED			
DRAWN BY: HRM	DATE: 05/26/21	VIN/PART # Marketing	REV.
FILE NAME: CUS, AL - Car Hauler 2021 - Quest - 20 ft Marketing			
SCALE: 1:24	DATE PRINTED: 5/28/2021	SHEET 5 OF 6	



TITLE: QCLAB8520+0-2T5.2K - PED			
DRAWN BY: HRM	DATE: 05/26/21	VIN/PART # Marketing	REV.
FILE NAME: CUS, AL - Car Hauler 2021 - Quest - 20 ft Marketing			
SCALE: 1:22	DATE PRINTED: 5/28/2021	SHEET 6 OF 6	