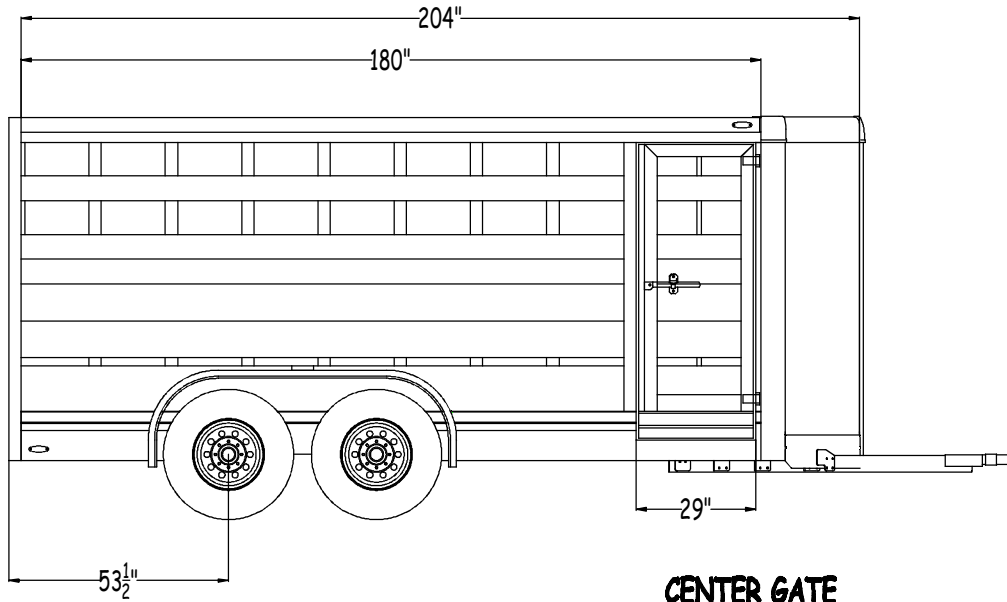


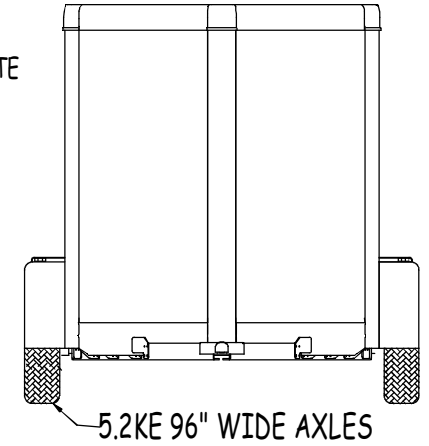
CURB SIDE



ACCESSORIES IN TRAILER

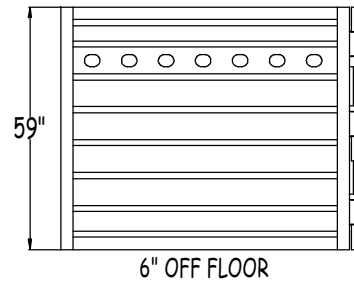
- ONLY ONE DOME LIGHT
- 5 ROOF BOWS ON 29" CENTERS
- RIVETS IN ROOF ARE ON 4" CENTERS
- FLOOR IS 1/8" FLAT ALUMINUM DIAMOND PLATE
- USE ALL 3" J-BEAMS IN FLOOR
- LEAVE 3" STEP BELOW DOOR
- 2 HINGES ON SIDE DOOR

FRONT VIEW



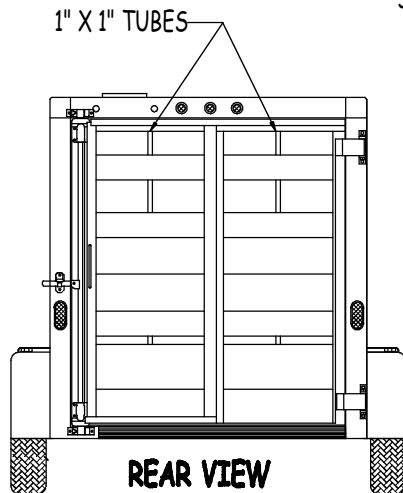
DRIVER SIDE

CENTER GATE

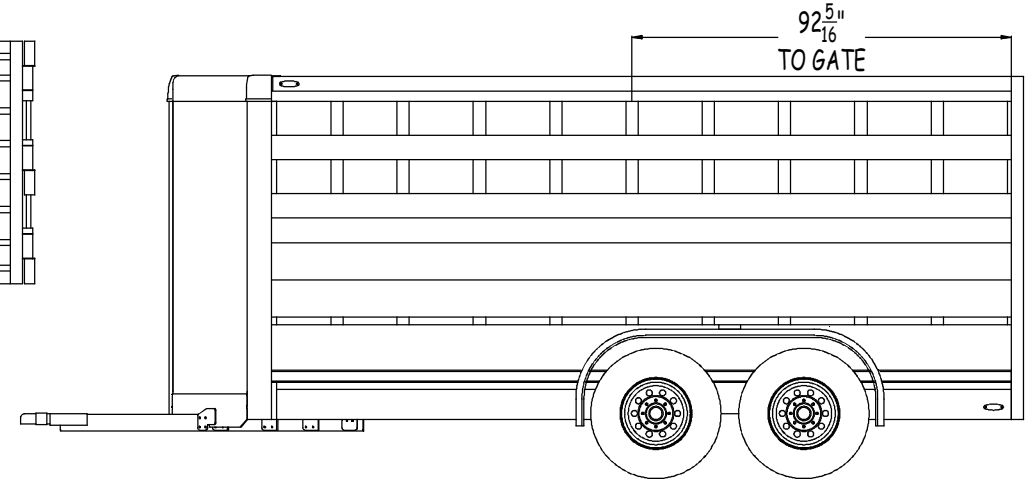


SLAT PATTERN

- ROOF RAIL
- 8" OPENING
- 6" CLOSURE SLAT
- 8" OPENING
- 6" CLOSURE SLAT
- 6" SLAT
- 9" SLAT
- 9" SLAT
- 2" OPENING
- 11" STARTER SLAT
- 12" BOGIELESS
- BOTTOM RAIL



REAR VIEW



REVISIONS

M. H. EBY INC.

16' x 6'-5" x 6'-6" BUMPERHITCH

CUSTOMER: **LS BUMPER HITCH**

DATE: 10/21/13

SOLD BY:

DRAWN BY: AKD